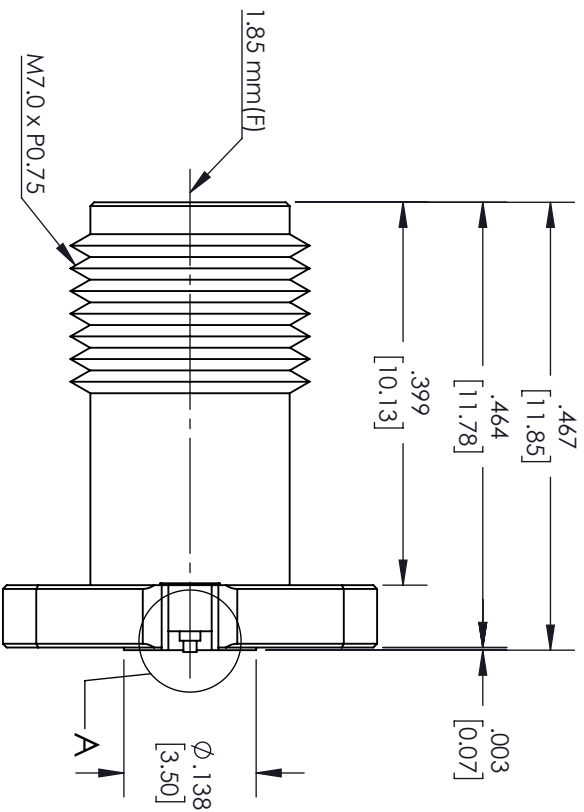
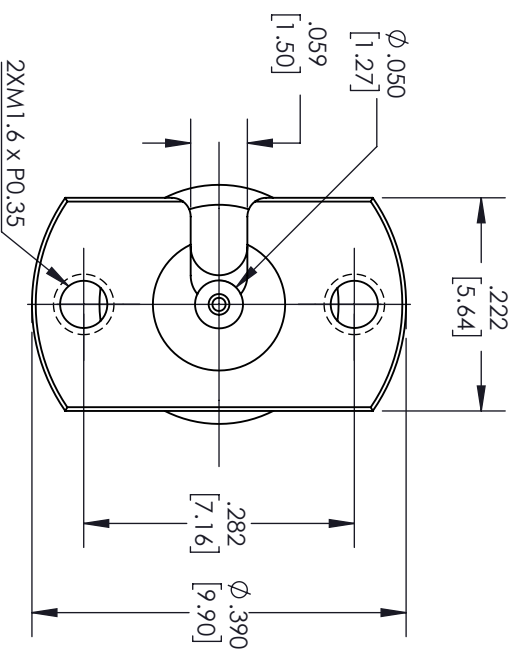


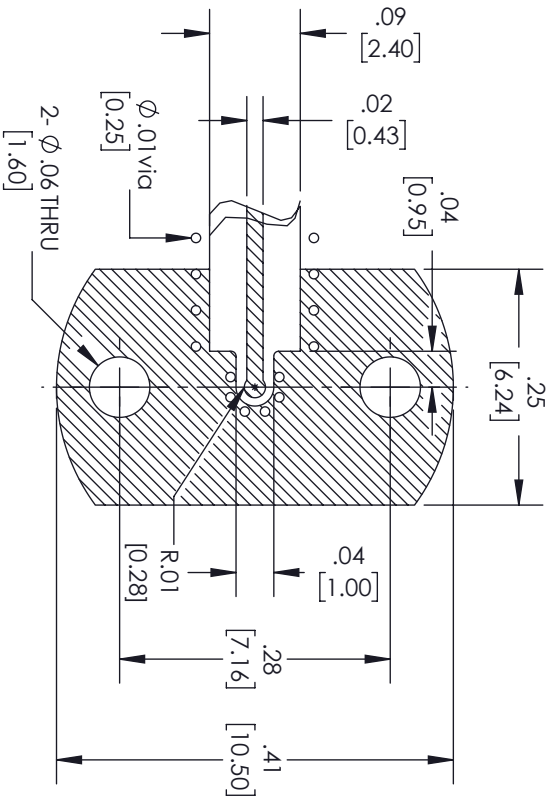
REVISIONS			
REV.	DESCRIPTION	DATE	APPROVED
A	INITIAL RELEASE	07-07-2021	AGANWANI



RECOMMENDED
TOP PCB PATTERN

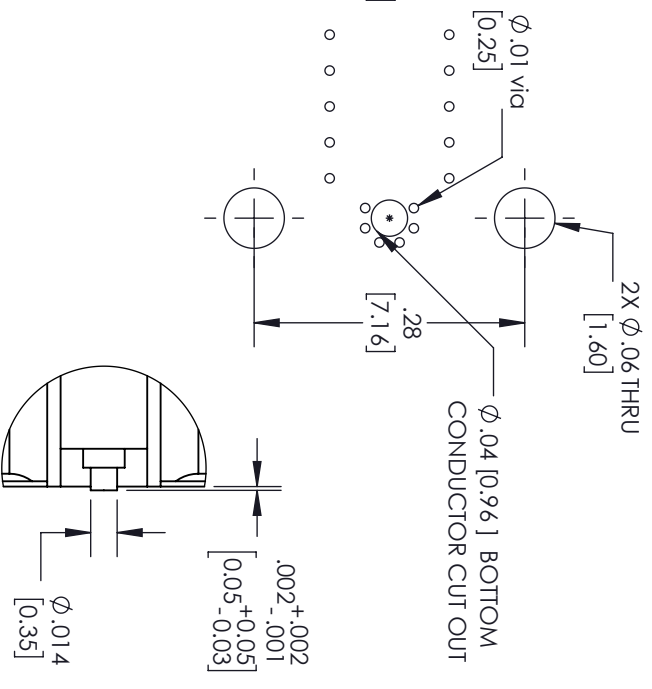


RECOMMENDED
BOTTOM PCB PATTERN



* PCB : R04003C 8mil

DETAIL A



THESE COMMODITIES, TECHNOLOGY OR SOFTWARE WERE EXPORTED FROM THE UNITED STATES IN ACCORDANCE WITH THE EXPORT ADMINISTRATION REGULATIONS, DIVERSION CONTRARY TO U.S. LAW PROHIBITED.



TITLE

UNLESS OTHERWISE SPECIFIED LEADING DIMENSIONS ARE INCHES
DIMENSIONS IN [] ARE MILLIMETERS

TOLERANCES:

THIRD-ANGLE PROJECTION

CABLE LENGTH (L) TOLERANCES:
L ≤ 12 (305) = +1 (25) / -0
12 (305) < L ≤ 60 (1524) = +2 (51) / -0
60 (1524) < L ≤ 120 (3048) = +4 (102) / -0
120 (3048) < L ≤ 300 (7620) = +6 (152) / -0
300 (7620) < L = +5%L / -0

THE INFORMATION AND DESIGN IN THIS DOCUMENT IS THE PROPERTY OF FAIRVIEW MICROWAVE CORPORATION. ALL RIGHTS RESERVED.

SIZE	GAGE CODE	DRAWN BY	ITEM NO.	SCALE	REV
A	3FKRS	MVEERAPPAN	FMCN1731	N/A	A