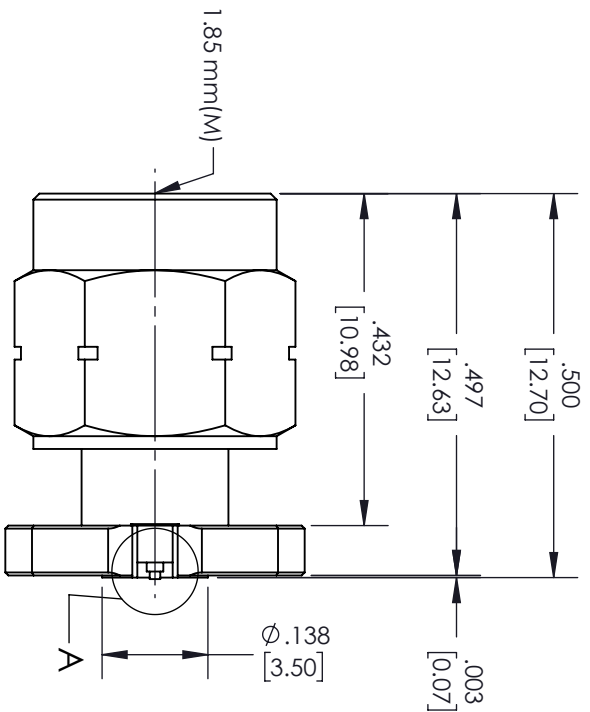
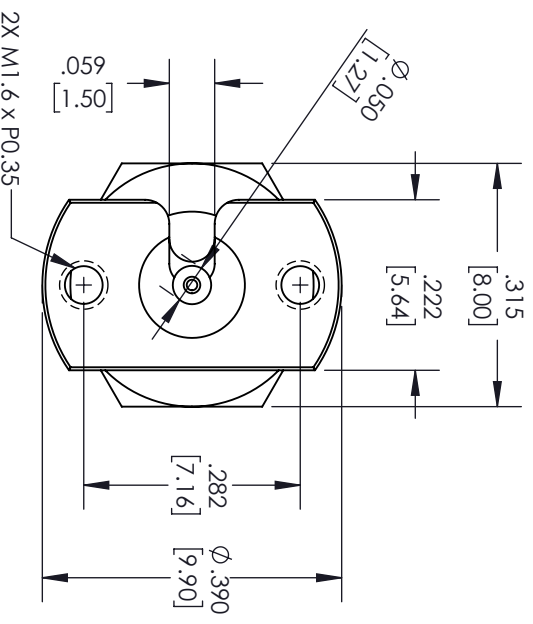


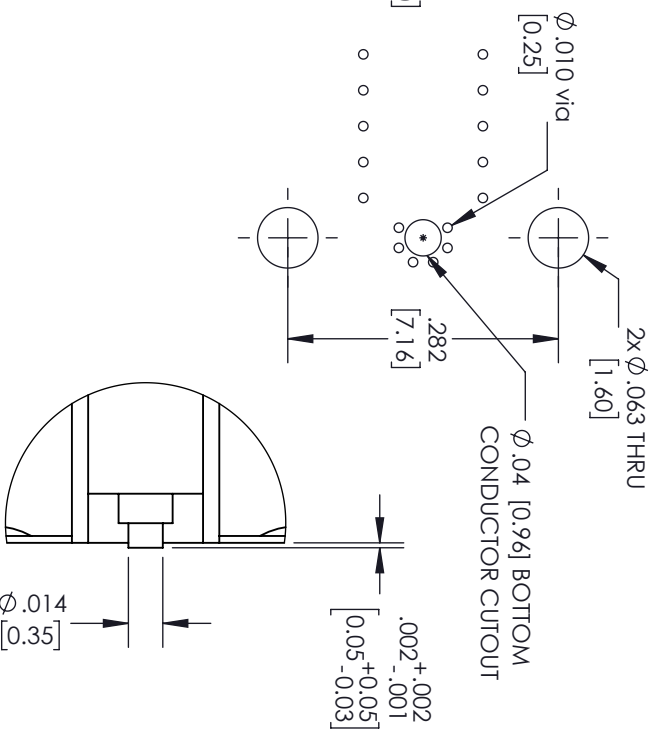
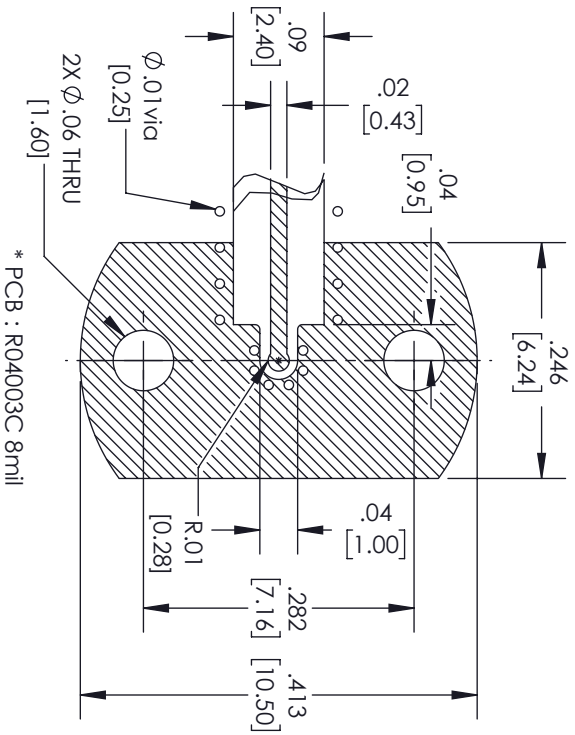
REVISIONS			
REV.	DESCRIPTION	DATE	APPROVED
A	INITIAL RELEASE	07/09/2021	AGANWANI



RECOMMENDED
TOP PCB PATTERN



RECOMMENDED
BOTTOM PCB PATTERN



DETAIL A

THESE COMMODITIES, TECHNOLOGY OR SOFTWARE WERE EXPORTED FROM THE UNITED STATES IN ACCORDANCE WITH THE EXPORT ADMINISTRATION REGULATIONS, DIVERSION CONTRARY TO U.S. LAW PROHIBITED.

UNLESS OTHERWISE SPECIFIED LEADING DIMENSIONS ARE INCHES

TOLERANCES:

DIMENSIONS IN [] ARE MILLIMETERS

CABLE LENGTH (L) TOLERANCES:



THE INFORMATION AND DESIGN IN THIS DOCUMENT IS THE PROPERTY OF FAIRVIEW MICROWAVE CORPORATION. ALL RIGHTS RESERVED.



TITLE

X = ±.2	[5.08]	FRACTIONS	12 [305] < L ≤ 60 [1524] = ±2 [51] / -0
XX = ±.02	[.51]	± 1/32	60 [1524] < L ≤ 120 [3048] = ±4 [102] / -0
XXX = ±.005	[.13]	ANGLES ± 1°	120 [3048] < L ≤ 300 [7620] = ±6 [152] / -0
			300 [7620] < L = +5%L / -0

ALL DIMENSIONS SHOWN ARE FOR REFERENCE ONLY.

SIZE	GAGE CODE	DRAWN BY	ITEM NO.	SCALE	REV
A	3FKRS	MVEERAPPAN	FMCN1733	N/A	A