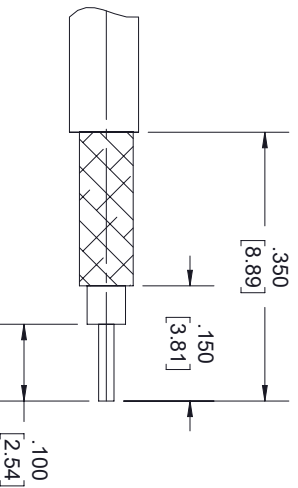
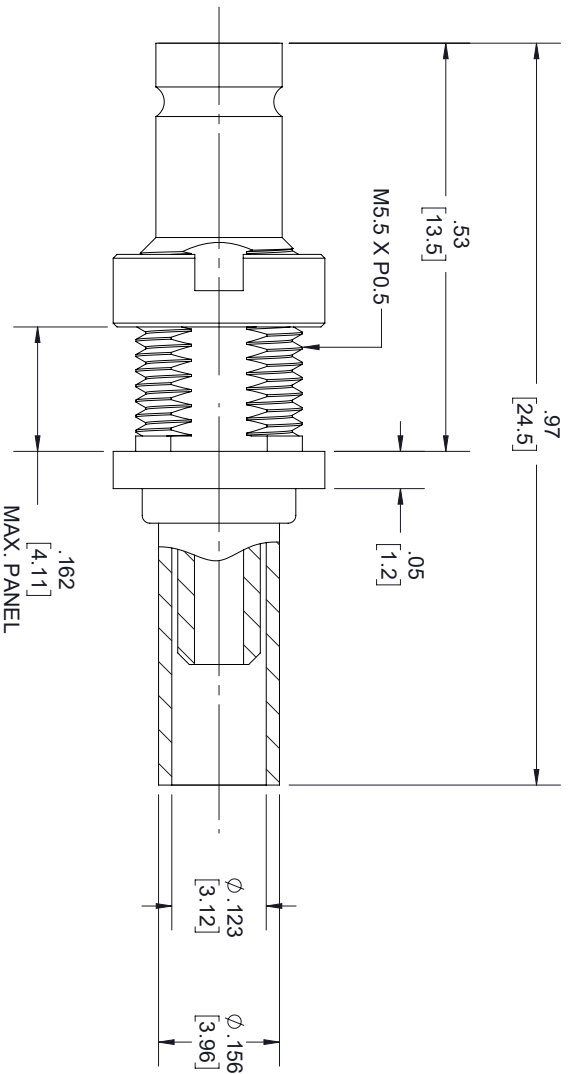


REVISIONS			
REV.	DESCRIPTION	DATE	APPROVED
A	INITIAL RELEASE	02/11/2022	A.GANWANI

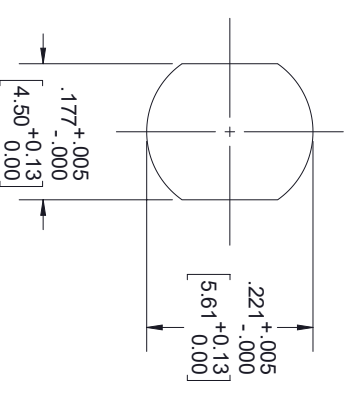


STRIPPING DIMENSIONS

CRIMP SIZE REQUIRED

CONTACT: SOLDER.

RERRULE: .218" [5.54] HEX CRIMP TOOL.



MOUNTING HOLE

THESE COMMODITIES, TECHNOLOGY OR SOFTWARE WERE EXPORTED FROM THE UNITED STATES IN ACCORDANCE WITH THE EXPORT ADMINISTRATION REGULATIONS, DIVERSION CONTRARY TO U.S. LAW PROHIBITED.



TITLE

UNLESS OTHERWISE SPECIFIED LEADING DIMENSIONS ARE INCHES DIMENSIONS IN [] ARE MILLIMETERS		THIRD-ANGLE PROJECTION	
TOLERANCES:		THE INFORMATION AND DESIGN IN THIS DOCUMENT IS THE PROPERTY OF FAIRVIEW MICROWAVE CORPORATION. ALL RIGHTS RESERVED.	
CABLE LENGTH (L) TOLERANCES:		SCALE	
X = ±.2 [5.08]	FRACTIONS ± 1/32	L ≤ 12 [305] = ±1 [25] / -0	1
XX = ±.02 [51]	± 1/32	12 [305] < L ≤ 60 [1524] = ±2 [51] / -0	OF
XXX = ±.005 [13]	ANGLES ± 1°	60 [1524] < L ≤ 120 [3048] = ±4 [102] / -0	1
		120 [3048] < L ≤ 300 [7620] = ±6 [152] / -0	1
		300 [7620] < L = +5%/L / -0	1
SIZE	GAGE CODE	DRAWN BY	ITEM NO.
A	3FKRS	K.GLEBOVA	FMCN1820
			SCALE
			N/A
			REV
			A