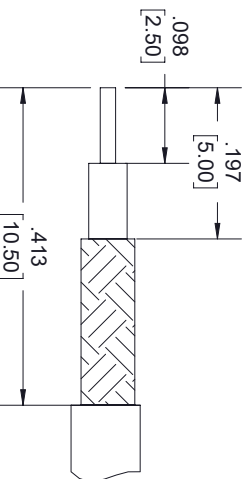
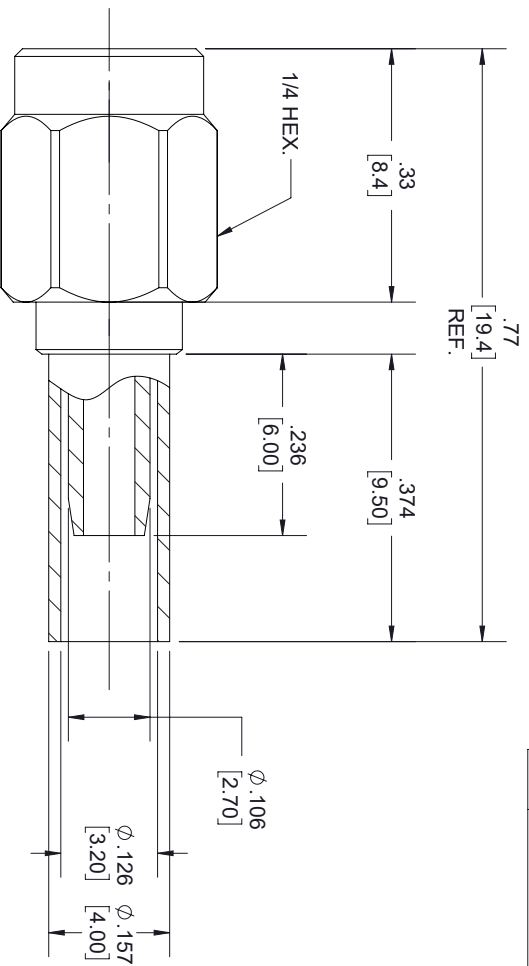
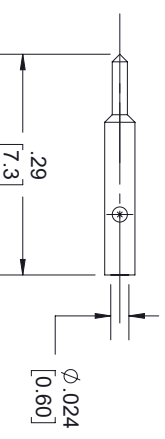


REVISIONS			
REV.	DESCRIPTION	DATE	APPROVED
A	INITIAL RELEASE	02/11/2022	AGANWANI



STRIPPING DIMENSIONS



NOTES:

- CABLE ATTACHMENT:
 - OUTER: CRIMP.
 - INNER: SOLDER/CRIMP.
- CRIMP SIZE REQUIRED
 - CONTACT: 1/4 [6.35] HEX CRIMP TOOL.
 - FERRULE: .138" [3.53] HEX CRIMP TOOL.

THESE COMMODITIES, TECHNOLOGY OR SOFTWARE WERE EXPORTED FROM THE UNITED STATES IN ACCORDANCE WITH THE EXPORT ADMINISTRATION REGULATIONS, DIVERSION CONTRARY TO U.S. LAW PROHIBITED.



TITLE

UNLESS OTHERWISE SPECIFIED LEADING DIMENSIONS ARE INCHES		CABLE LENGTH (L) TOLERANCES:		THIRD-ANGLE PROJECTION	
DIMENSIONS IN [] ARE MILLIMETERS		CABLE LENGTH (L) TOLERANCES:		THE INFORMATION AND DESIGN IN THIS DOCUMENT IS THE PROPERTY OF FAIRVIEW MICROWAVE CORPORATION. ALL RIGHTS RESERVED.	
TOLERANCES:		CABLE LENGTH (L) TOLERANCES:		SCALE	
X = ±.2 [5.08]	FRACTIONS ± 1/32	L ≤ 12 [305]	= +1 [25] / -0	1	
XX = ±.02 [51]	± 1/32	12 [305] < L ≤ 60 [1524]	= +2 [51] / -0	N/A	
XXX = ±.005 [13]	ANGLES ± 1°	60 [1524] < L ≤ 120 [3048]	= +4 [102] / -0	REV A	
		120 [3048] < L ≤ 300 [7620]	= +6 [152] / -0		
		300 [7620] < L	= +5%L / -0		
ALL DIMENSIONS SHOWN ARE FOR REFERENCE ONLY.					
SIZE	DRAWN BY	ITEM NO.	REV		
A	K.GLEBOVA	FMCN1852	A		