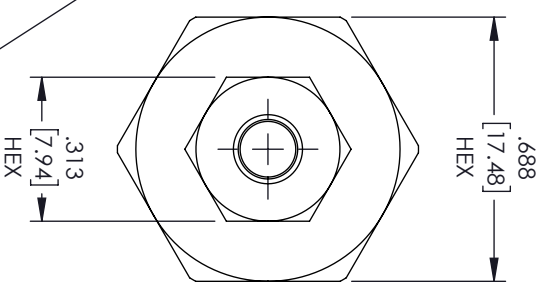
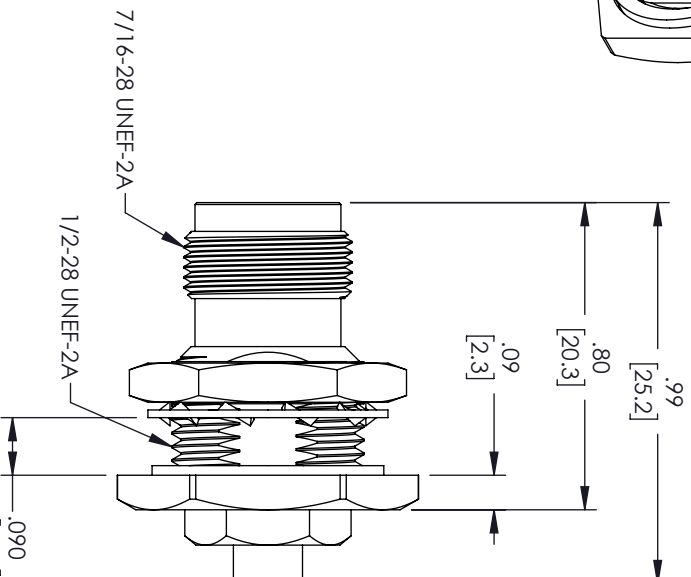
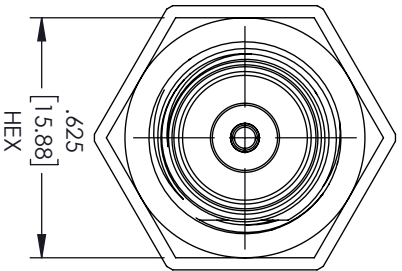
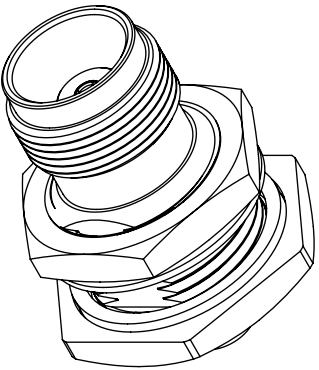
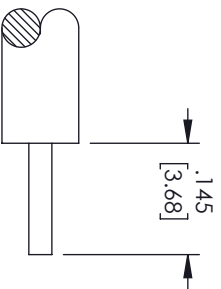


REVISIONS			
REV.	DESCRIPTION	DATE	APPROVED
A	INITIAL RELEASE	02/21/2022	AGANWANI



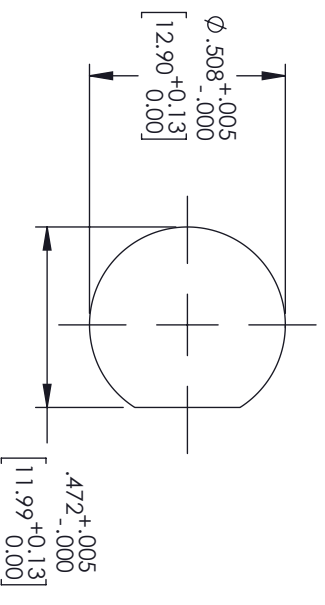
FITS .141 [3.58]  
SEMI-RIGID  
CABLE TYPES



STRIPPING DIMENSIONS

ASSEMBLY PROCEDURE

1. STRIP CABLE AS SHOWN. DO NOT NICK CENTER CONDUCTOR.
2. SOLDER CONTACT TO CENTER CONDUCTOR. INSERT CABLE INTO BODY UNTIL CONTACT SETS IN PLACE. SOLDER OUTER CONDUCTOR TO BODY.



MOUNTING HOLE

THESE COMMODITIES, TECHNOLOGY OR SOFTWARE WERE EXPORTED FROM THE UNITED STATES IN ACCORDANCE WITH THE EXPORT ADMINISTRATION REGULATIONS, DIVERSION CONTRARY TO U.S. LAW PROHIBITED.



TITLE

UNLESS OTHERWISE SPECIFIED LEADING DIMENSIONS ARE INCHES  
DIMENSIONS IN [ ] ARE MILLIMETERS

TOLERANCES:

FRACTIONS

DECIMALS

CABLE LENGTH (L) TOLERANCES:

THIRD-ANGLE PROJECTION

X = ±.2 [5.08]  
XX = ±.02 [.51]  
XXX = ±.005 [.13]

±.1/32  
ANGLES ± 1°

L ≤ 12 [305] = +.1 [25] / -0  
12 [305] < L ≤ 60 [1524] = +.2 [51] / -0  
60 [1524] < L ≤ 120 [3048] = +.4 [102] / -0  
120 [3048] < L ≤ 300 [7620] = +.6 [152] / -0  
300 [7620] < L = +5% / -0

THE INFORMATION AND DESIGN IN THIS DOCUMENT IS THE PROPERTY OF FAIRVIEW MICROWAVE CORPORATION. ALL RIGHTS RESERVED.

SHEET 1 OF 1

ALL DIMENSIONS SHOWN ARE FOR REFERENCE ONLY.

SCALE

SIZE

A

GAGE CODE

3FKRS

DRAWN BY

A.KRESOWSKI

ITEM NO.

FMCN1879

REV

A