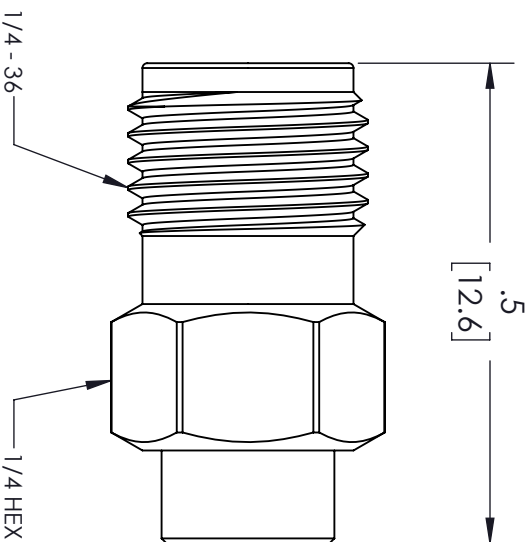
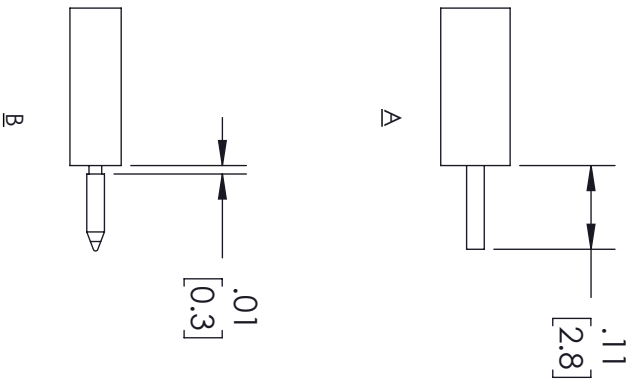


REVISIONS			
REV.	DESCRIPTION	DATE	APPROVED
A	INITIAL RELEASE	06/07/22	AGANWANI



STRIPPING DIMENSIONS

ASSEMBLY PROCEDURES

1. STRIP CABLE AS SHOWN IN (A).
DO NOT NICK CENTER CONDUCTOR.
2. SHIM CONTACT AS SHOWN IN (B).
SOLDER CONTACT TO CENTER CONDUCTOR.
3. INSERT CABLE INTO BODY UNTIL OUTER
CONDUCTOR IS FLUSH WITH BODY SHOULDER.
SOLDER OUTER CONDUCTOR TO BODY.

THESE COMMODITIES, TECHNOLOGY OR SOFTWARE WERE EXPORTED FROM THE UNITED STATES IN ACCORDANCE WITH THE EXPORT ADMINISTRATION REGULATIONS, DIVERSION CONTRARY TO U.S. LAW PROHIBITED.



TITLE

UNLESS OTHERWISE SPECIFIED LEADING DIMENSIONS ARE INCHES DIMENSIONS IN [] ARE MILLIMETERS				THIRD-ANGLE PROJECTION			
TOLERANCES:				CABLE LENGTH (L) TOLERANCES:			
X = ±.2 [5.08]		FRACTIONS ± 1/32		L ≤ 12 [305] = +1 [25] / -0		THE INFORMATION AND DESIGN IN THIS DOCUMENT IS THE PROPERTY OF FAIRVIEW MICROWAVE CORPORATION. ALL RIGHTS RESERVED.	
XX = ±.02 [51]		± 1/32		12 [305] < L ≤ 60 [1524] = +2 [51] / -0		SHEET 1 OF 1	
XXX = ±.005 [13]		ANGLES ± 1°		60 [1524] < L ≤ 120 [3048] = +4 [102] / -0		SCALE N/A	
				120 [3048] < L ≤ 300 [7620] = +6 [152] / -0		REV A	
				300 [7620] < L = +5%L / -0			
ALL DIMENSIONS SHOWN ARE FOR REFERENCE ONLY.							
SIZE	GAGE CODE	DRAWN BY	ITEM NO.	SCALE		REV	
A	3FKRS	VTHANGARAJ	FMCN1907	N/A		A	