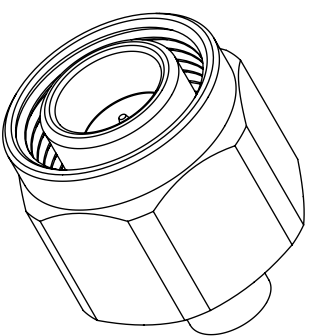
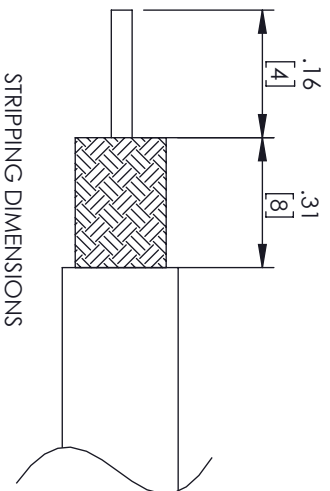
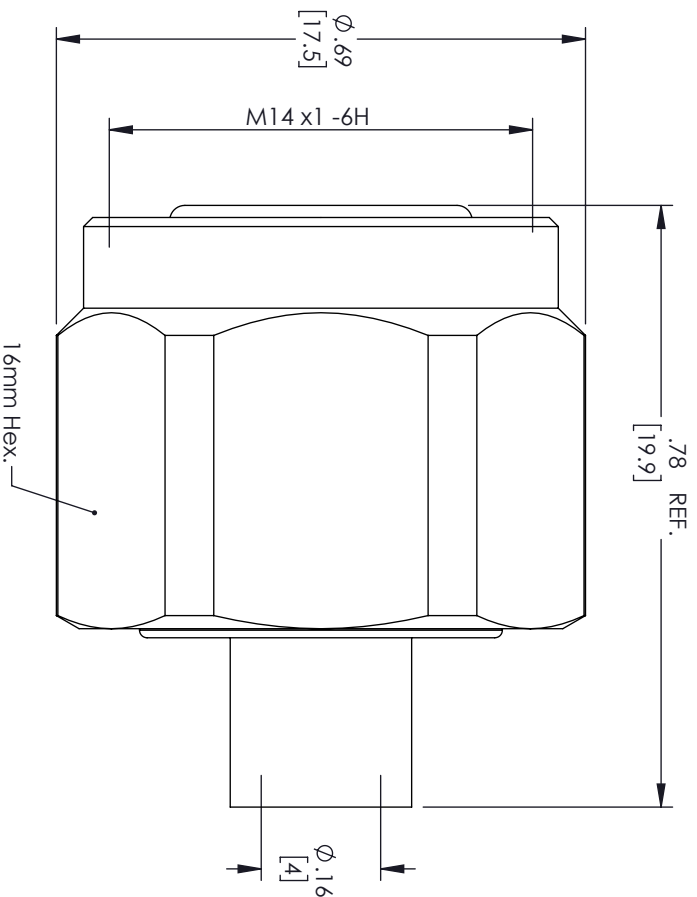


| REVISIONS |                 |           |          |
|-----------|-----------------|-----------|----------|
| REV.      | DESCRIPTION     | DATE      | APPROVED |
| A         | INITIAL RELEASE | 8/17/2022 | AGANWANI |



THESE COMMODITIES, TECHNOLOGY OR SOFTWARE WERE EXPORTED FROM THE UNITED STATES IN ACCORDANCE WITH THE EXPORT ADMINISTRATION REGULATIONS, DIVERSION CONTRARY TO U.S. LAW PROHIBITED.



TITLE

|   |           |  |          |                        |     |
|---|-----------|--|----------|------------------------|-----|
| UNLESS OTHERWISE SPECIFIED LEADING DIMENSIONS ARE INCHES<br>DIMENSIONS IN [ ] ARE MILLIMETERS |           |  |          | THIRD-ANGLE PROJECTION |     |
| TOLERANCES:   |           |  |          |                        |     |
| CABLE LENGTH (L) TOLERANCES:  |           | L ≤ 12 [305] = +1 [25] / -0<br>12 [305] < L ≤ 60 [1524] = +2 [51] / -0<br>60 [1524] < L ≤ 120 [3048] = +4 [102] / -0<br>120 [3048] < L ≤ 300 [7620] = +6 [152] / -0<br>300 [7620] < L = +5% / -0 |          |                        |     |
| FRACTIONS   |           | THE INFORMATION AND DESIGN IN THIS DOCUMENT IS THE PROPERTY OF FAIRVIEW MICROWAVE CORPORATION. ALL RIGHTS RESERVED.  |          |                        |     |
| X = ±.2 [5.08]<br>XX = ±.02 [ .51]<br>XXX = ±.005 [ .13]                                      |           | ANGLES ± 1°  |          |                        |     |
| ALL DIMENSIONS SHOWN ARE FOR REFERENCE ONLY.  |           | SCALE  |          | N/A                    |     |
| SIZE  | GAGE CODE | DRAWN BY   | ITEM NO. | REV                    | REV |
| A   | 3FKRS     | PSRINIVAS  | FMCN1935 |                        | A   |