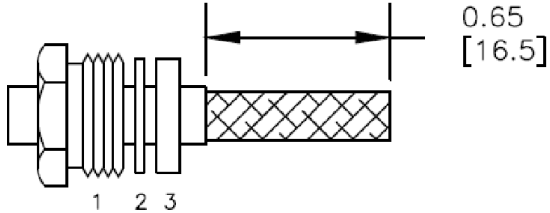


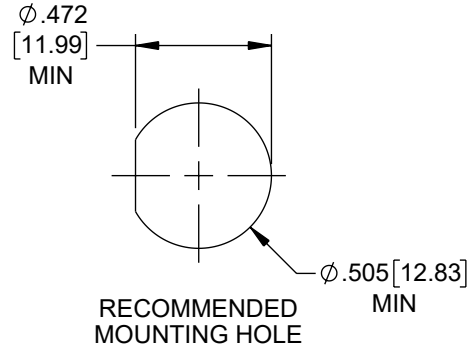
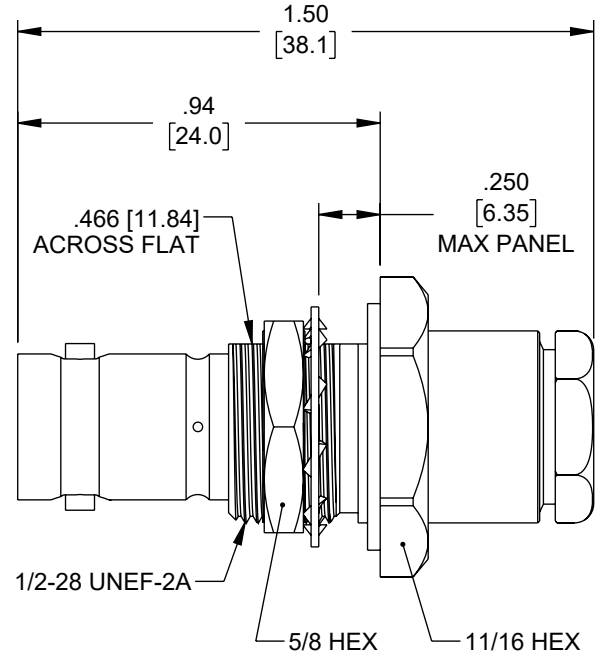
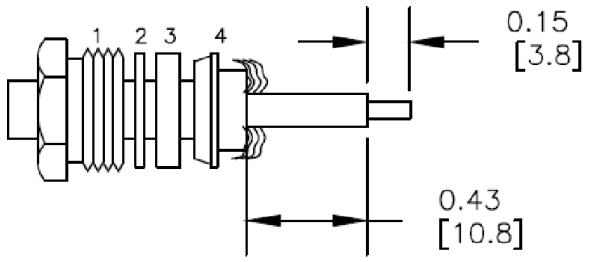
| REVISION |     |                 |          |            |          |
|----------|-----|-----------------|----------|------------|----------|
| ZONE     | REV | DESCRIPTION     | DATE     | CHANGED BY | APPROVED |
|          | A   | INITIAL RELEASE | 5/8/2023 | KDANG      | AGANWANI |

**ASSEMBLY PROCEDURES**

1. SLIDE CLAMP NUT (1), WASHER (2) & GASKET (3) OVER CABLE. STRIP CABLE AS SHOWN. DO NOT NICK BRAID WHILE CUTTING JACKET. TAPER END OF BRAID TO PERMIT ASSEMBLY OF BRAID CLAMP (4). SLIDE BRAID CLAMP (4) OVER BRAID & SEAT AGAINST CABLE.



2. FORM BRAID OVER CLAMP NUT (4). TRIM BRAID BACK TO SHOULDER. CUT DIELECTRIC & CENTER CONDUCTOR TO DIMENSION SHOWN. DO NOT NICK CENTER CONDUCTOR. SOLDER CONTACT TO CENTER CONDUCTOR. REMOVE EXCESS SOLDER. DO NOT OVER HEAT DIELECTRIC. INSERT CABLE ASSEMBLY INTO BODY & TIGHTEN.



UNLESS OTHERWISE SPECIFIED LEADING DIMENSIONS ARE INCHES DIMENSIONS IN [ ] ARE MILLIMETERS

**TOLERANCES:**

|                    |                  |
|--------------------|------------------|
| .X = ±.2 [5]       | FRACTIONS ± 1/32 |
| .XX = ±.02 [.5]    | ANGLES ± 1°      |
| .XXX = ±.005 [.13] |                  |

**CABLE LENGTH TOLERANCES:**

|  |
|--|
| ≤12 [305] = +1 [25] / -0                 |
| >12 [305] ≤ 60 [1524] = +2 [51] / -0     |
| >60 [1524] ≤ 120 [3048] = +4 [102] / -0  |
| >120 [3048] ≤ 300 [7620] = +6 [152] / -0 |
| >300 [7620] = +5% / -0                   |

ALL DIMENSIONS ARE FOR REFERENCE ONLY AND SUBJECT TO CHANGE WITHOUT NOTICE.

**Fairview Microwave®**  
an INFINIT® brand

Website: [www.FairviewMicrowave.com](http://www.FairviewMicrowave.com)  
Phone: 1.800.715.4396 | 1.972.649.6678

|       |        |
|-------|--------|
|       |        |
| SCALE | SHEET  |
| NONE  | 1 OF 1 |

DESCRIPTION  
MHV Female Bulkhead Mount Connector Clamp/Solder Attachment for RG55, RG58, RG141, RG142, RG223, RG303, RG400, PE-C195, PE-P195, LMR-195

|      |           |          |           |     |
|------|-----------|----------|-----------|-----|
| SIZE | CAGE CODE | DRAWN BY | ITEM NO.  | REV |
| A    | 3FKR5     | KDANG    | FMCN45901 | A   |

THE INFORMATION CONTAINED IN THIS DRAWING IS THE SOLE PROPERTY OF INFINITE ELECTRONICS, INC. ANY REPRODUCTION IN PART OR WHOLE WITHOUT THE WRITTEN PERMISSION OF INFINITE ELECTRONICS, INC. IS PROHIBITED. THESE COMMODITIES, TECHNOLOGY OR SOFTWARE WERE EXPORTED FROM THE UNITED STATES IN ACCORDANCE WITH THE EXPORT ADMINISTRATION REGULATIONS. DIVERSION CONTRARY TO U.S. LAW PROHIBITED.