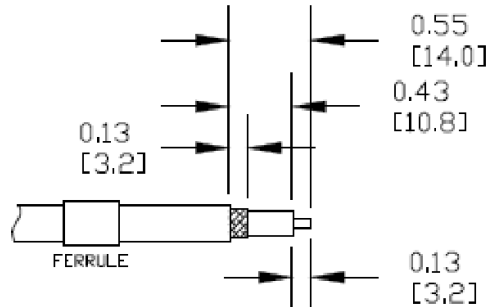


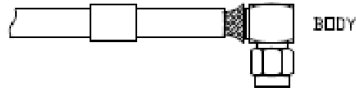
| REVISION |     |                 |           |            |          |
|----------|-----|-----------------|-----------|------------|----------|
| ZONE     | REV | DESCRIPTION     | DATE      | CHANGED BY | APPROVED |
|          | A   | INITIAL RELEASE | 9/19/2024 | KDANG      | DWANG    |

**ASSEMBLY PROCEDURES**

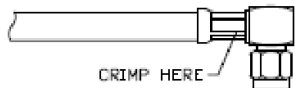
1. STRIP CABLE AS SHOWN. SLIDE FERRULE OVER CABLE.



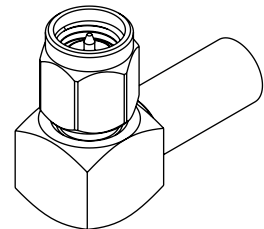
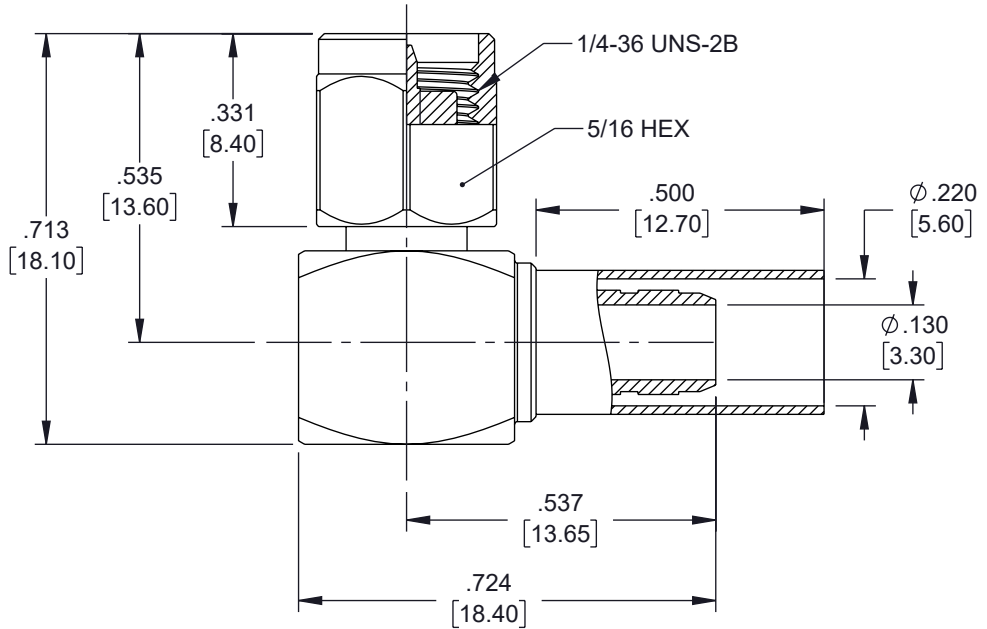
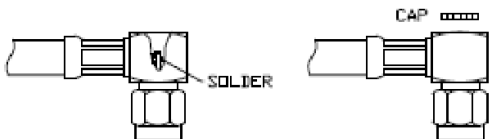
2. FLAIR BRAID AND INSERT THE STRIPPED CABLE INTO BODY AND POSITION THE CENTER CONDUCTOR IN THE SLOT OF THE CENTER PIN.



3. SLIDE FERRULE OVER BRAID UP TO THE CONNECTOR BODY AND CRIMP AS CLOSE TO THE CONNECTOR BODY AS POSSIBLE USING A .255" HEX CRIMP TOOL.



4. SOLDER THE CENTER CONDUCTOR OF THE CABLE TO THE CENTER PIN. PRESS DOWN THE CAP INTO THE REAR APERTURE OF THE BODY.



UNLESS OTHERWISE SPECIFIED LEADING DIMENSIONS ARE INCHES DIMENSIONS IN [ ] ARE MILLIMETERS

TOLERANCES:

|                     |                  |
|---------------------|------------------|
| X = ±.2 [5]         | FRACTIONS ± 1/32 |
| XX = ±.02 [0.5]     | ANGLES ± 1°      |
| .XXX = ±.005 [0.13] |                  |

CABLE LENGTH TOLERANCES:

|                          |                 |
|--------------------------|-----------------|
| ≤12 [305]                | = +1 [25] / -0  |
| >12 [305] ≤ 60 [1524]    | = +2 [51] / -0  |
| >60 [1524] ≤ 120 [3048]  | = +4 [102] / -0 |
| >120 [3048] ≤ 300 [7620] | = +6 [152] / -0 |
| >300 [7620]              | = +5% / -0      |

ALL DIMENSIONS ARE FOR REFERENCE ONLY AND SUBJECT TO CHANGE WITHOUT NOTICE UN-DIMENSIONED/NON-CRITICAL FEATURES MAY VARY IN SIZE AND LOCATION COLORS MAY VARY

**Fairview Microwave®**  
an INFINIT® brand

Website: [www.FairviewMicrowave.com](http://www.FairviewMicrowave.com)  
Phone: 1.800.715.4396 | 1.972.649.6678

INTERPRET ALL DIMENSIONS AND TOLERANCES PER ASME Y14.5

| SCALE | SHEET  |
|-------|--------|
| NONE  | 1 OF 1 |

DESCRIPTION  
SMA MALE (PLUG) RIGHT ANGLE CONNECTOR CRIMP/SOLDER ATTACHMENT FOR RG8X, .240 INCH, LMR-240, LMR-240-DB, LMR-240-UF

| SIZE | CAGE CODE | DRAWN BY | ITEM NO. | REV |
|------|-----------|----------|----------|-----|
| A    | 3FKR5     | KDANG    | FMCN5292 | A   |

THE INFORMATION CONTAINED IN THIS DRAWING IS THE SOLE PROPERTY OF INFINITE ELECTRONICS, INC. ANY REPRODUCTION IN PART OR WHOLE WITHOUT THE WRITTEN PERMISSION OF INFINITE ELECTRONICS, INC. IS PROHIBITED. THESE COMMODITIES, TECHNOLOGY OR SOFTWARE WERE EXPORTED FROM THE UNITED STATES IN ACCORDANCE WITH THE EXPORT ADMINISTRATION REGULATIONS. DIVERSION CONTRARY TO U.S. LAW PROHIBITED.