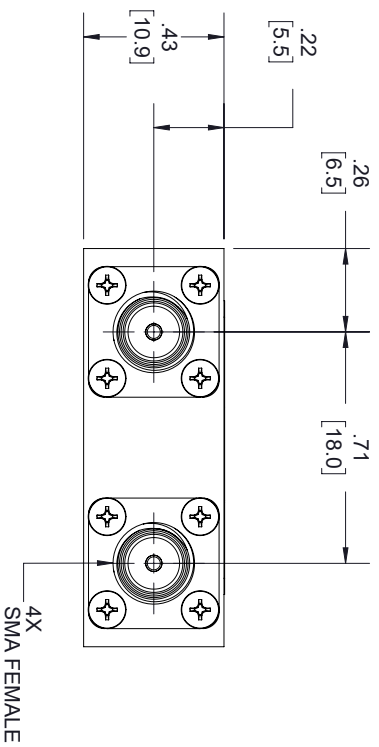
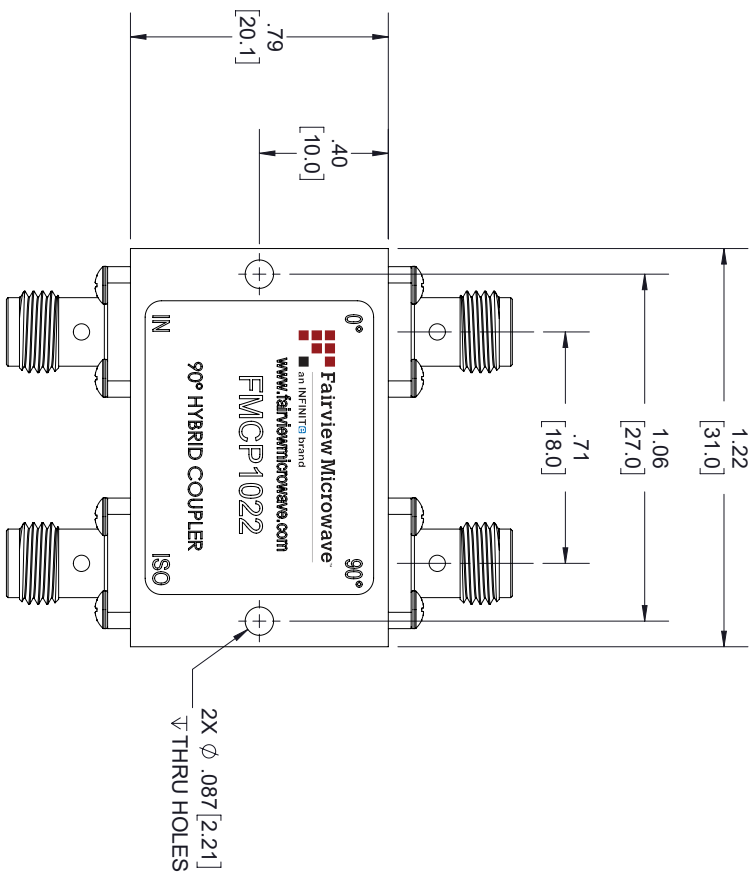
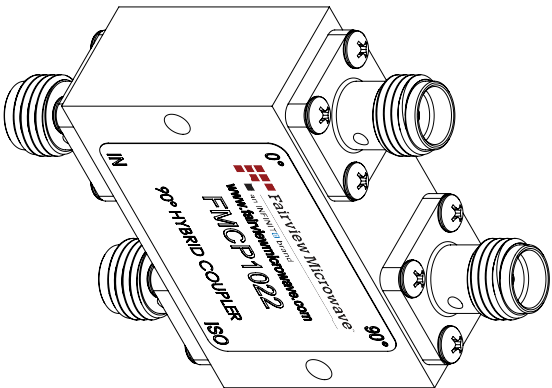


| REVISIONS | | | |
|-----------|-----------------|-----------|----------|
| REV. | DESCRIPTION | DATE | APPROVED |
| A | INITIAL RELEASE | 7/10/2020 | S.PONG |



THESE COMMODITIES, TECHNOLOGY OR SOFTWARE WERE EXPORTED FROM THE UNITED STATES IN ACCORDANCE WITH THE EXPORT ADMINISTRATION REGULATIONS, DIVERSION CONTRARY TO U.S. LAW PROHIBITED.



TITLE

| | | | |
|--|------------------|---|----------|
| UNLESS OTHERWISE SPECIFIED LEADING DIMENSIONS ARE INCHES | | THIRD-ANGLE PROJECTION | |
| DIMENSIONS IN [] ARE MILLIMETERS | | | |
| TOLERANCES: | | THE INFORMATION AND DESIGN IN THIS DOCUMENT IS THE PROPERTY OF FAIRVIEW MICROWAVE CORPORATION. ALL RIGHTS RESERVED. | |
| CABLE LENGTH (L) TOLERANCES: | | SCALE | |
| X = ±.2 [5.08] | FRACTIONS ±.1/32 | L ≤ 12 [305] = +1 [25] / -0 | 1 |
| XX = ±.02 [.51] | ±.1/32 | 12 [305] < L ≤ 60 [1524] = +2 [51] / -0 | OF |
| XXX = ±.005 [.13] | ANGLES ± 1° | 60 [1524] < L ≤ 120 [3048] = +4 [102] / -0 | 1 |
| | | 120 [3048] < L ≤ 300 [7620] = +6 [152] / -0 | |
| | | 300 [7620] < L = +5% / -0 | |
| SIZE | GAGE CODE | DRAWN BY | ITEM NO. |
| A | 3FKRS | K.Dang | FMCP1022 |
| | | | SCALE |
| | | | N/A |
| | | | REV |
| | | | A |