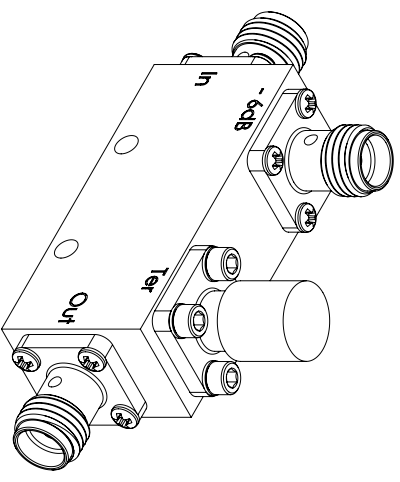
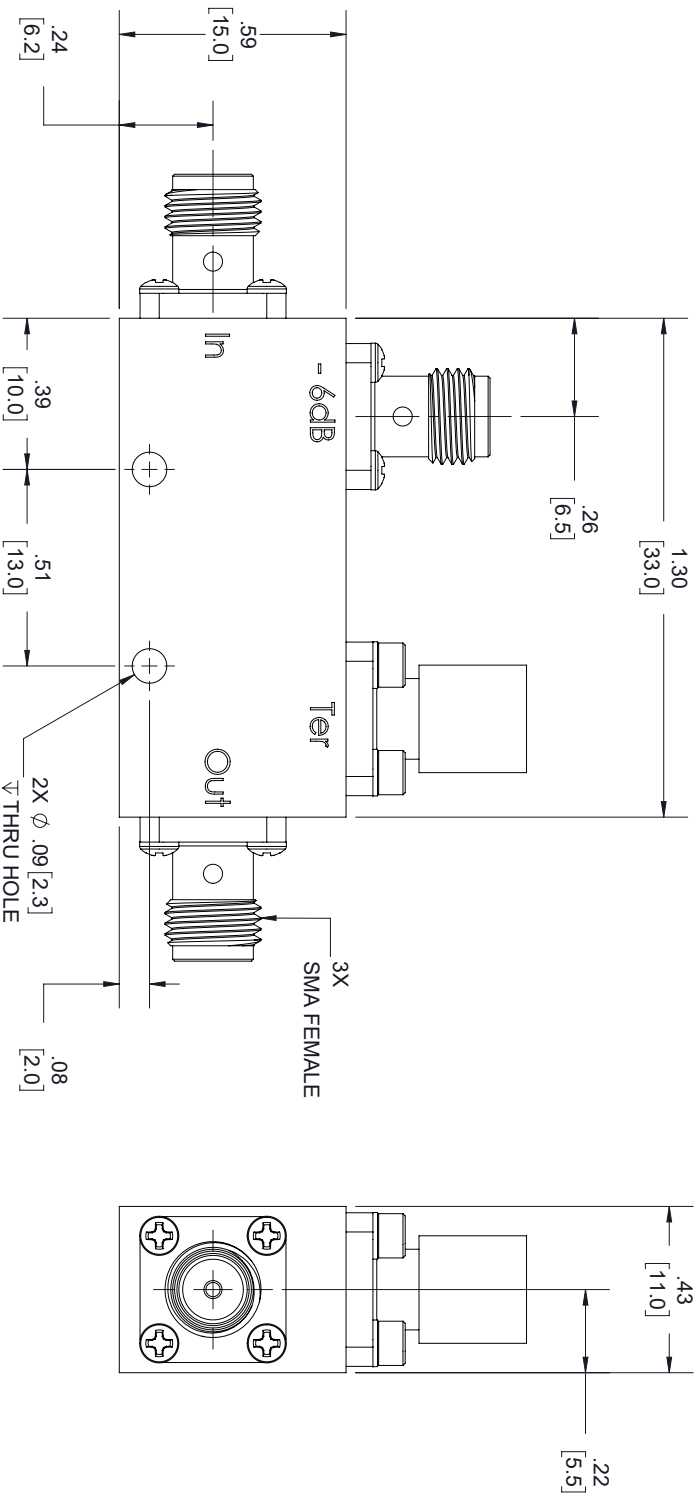


REVISIONS			
REV.	DESCRIPTION	DATE	APPROVED
A	INITIAL RELEASE	4/2/2020	S.PONG



LABEL:

FAIRVIEW MICROWAVE
FMCP1100
D/C: YYYYWW

THESE COMMODITIES, TECHNOLOGY OR SOFTWARE WERE EXPORTED FROM THE UNITED STATES IN ACCORDANCE WITH THE EXPORT ADMINISTRATION REGULATIONS, DIVERSION CONTRARY TO U.S. LAW PROHIBITED.



UNLESS OTHERWISE SPECIFIED LEADING DIMENSIONS ARE INCHES

TOLERANCES: DIMENSIONS IN [] ARE MILLIMETERS

TOLERANCES:

CABLE LENGTH (L) TOLERANCES:

L \pm 1/2 B065 = +1 [25] / -0
12 [305] < L \le 60 [1524] = +2 [51] / -0
60 [1524] < L \le 120 [3048] = +4 [102] / -0
120 [3048] < L \le 300 [7620] = +6 [152] / -0
300 [7620] < L = +5%L / -0



THIRD-ANGLE PROJECTION

X = +.2 [5.08]
XX = +.02 [.51]
XXX = +.005 [.13]

FRACTIONS
 \pm 1/32
ANGLES \pm 1°

THE INFORMATION AND DESIGN IN THIS DOCUMENT IS THE PROPERTY OF FAIRVIEW MICROWAVE CORPORATION. ALL RIGHTS RESERVED.

SHEET 1 OF 1

ALL DIMENSIONS SHOWN ARE FOR REFERENCE ONLY.

SCALE N/A

SIZE	GAGE CODE	DRAWN BY	ITEM NO.	REV
A	3FKR5	K.Dang	FMCP1100	A

TITLE

T:Rev D