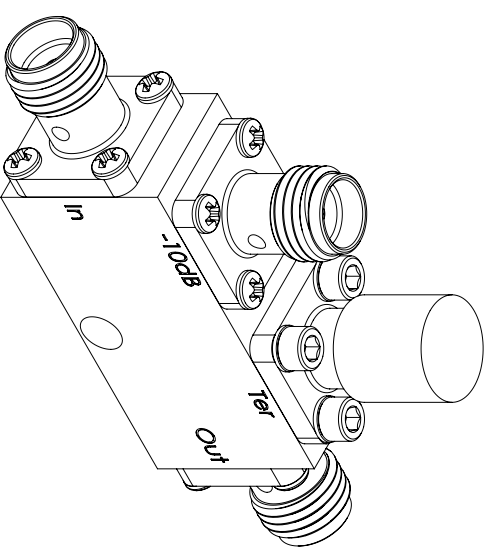
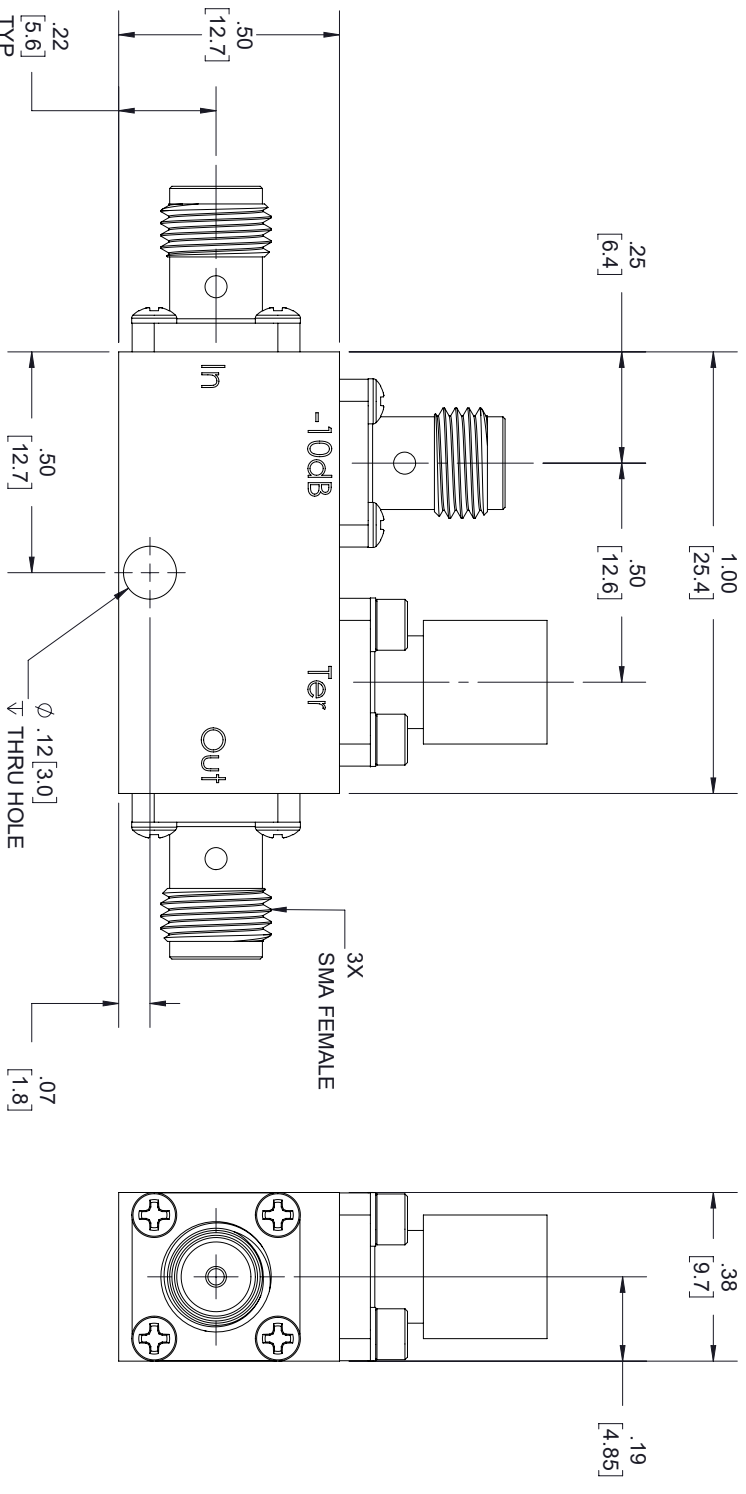


REVISIONS			
REV.	DESCRIPTION	DATE	APPROVED
A	PCR PE2CP 1105	4/2/2020	S.PONG



LABEL:

FAIRVIEW MICROWAVE
FMCP1105
D/C: YYWW

THESE COMMODITIES, TECHNOLOGY OR SOFTWARE WERE EXPORTED FROM THE UNITED STATES IN ACCORDANCE WITH THE EXPORT ADMINISTRATION REGULATIONS, DIVERSION CONTRARY TO U.S. LAW PROHIBITED.



TITLE

UNLESS OTHERWISE SPECIFIED LEADING DIMENSIONS ARE INCHES				THIRD-ANGLE PROJECTION	
DIMENSIONS IN [] ARE MILLIMETERS					
TOLERANCES:				THE INFORMATION AND DESIGN IN THIS DOCUMENT IS THE PROPERTY OF FAIRVIEW MICROWAVE CORPORATION. ALL RIGHTS RESERVED.	
CABLE LENGTH (L) TOLERANCES:		L ≤ 12 [305] = +1 [25] / -0		SHEET 1 OF 1	
X = ±.2 [5.08]		FRACTIONS ± 1/32		SCALE N/A	
XX = ±.02 [.51]		12 [305] < L ≤ 60 [1524] = +2 [51] / -0		REV A	
XXX = ±.005 [.13]		60 [1524] < L ≤ 120 [3048] = +4 [102] / -0		ITEM NO. FMCP1105	
		120 [3048] < L ≤ 300 [7620] = +6 [152] / -0		DRAWN BY K.DANG	
		300 [7620] < L = +5%L / -0		GAGE CODE 3FKRS	
ALL DIMENSIONS SHOWN ARE FOR REFERENCE ONLY.				SIZE A	