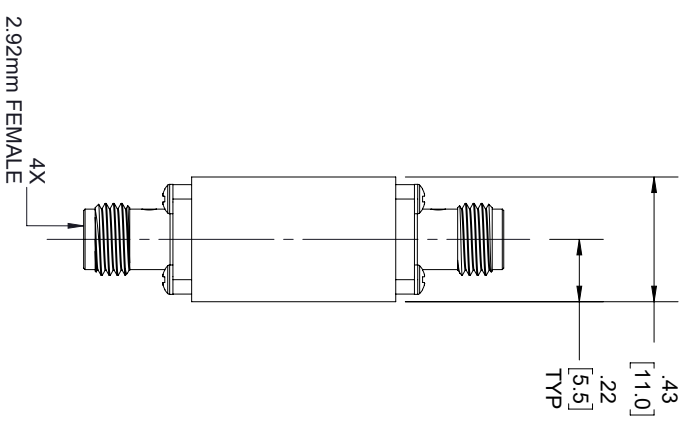
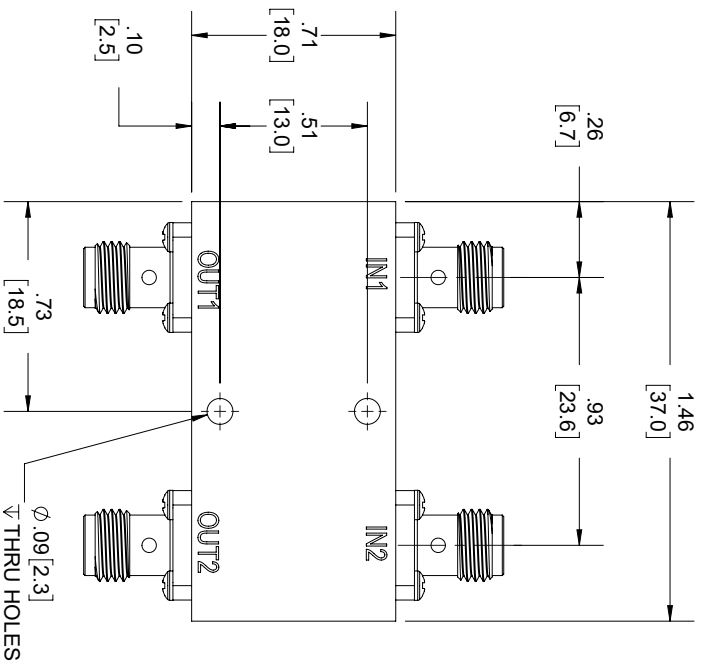
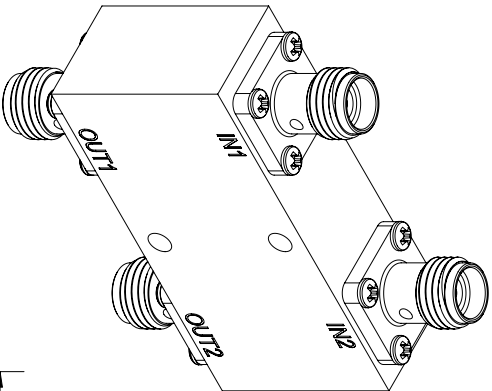
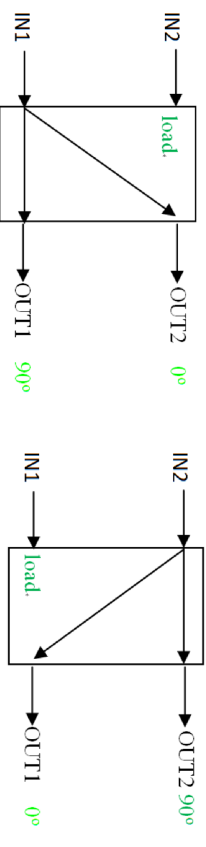


| REVISIONS |                 |           |          |
|-----------|-----------------|-----------|----------|
| REV.      | DESCRIPTION     | DATE      | APPROVED |
| A         | INITIAL RELEASE | 1/20/2020 | S.PONG   |



**Schematic:**



LABEL:

FAIRVIEW MICROWAVE  
FMCP1150  
D/C: YYYY

THESE COMMODITIES, TECHNOLOGY OR SOFTWARE WERE EXPORTED FROM THE UNITED STATES IN ACCORDANCE WITH THE EXPORT ADMINISTRATION REGULATIONS, DIVERSION CONTRARY TO U.S. LAW PROHIBITED.



TITLE

|  |           |             |   |   |  |
|--|-----------|-------------|---|---|--|
| UNLESS OTHERWISE SPECIFIED LEADING DIMENSIONS ARE INCHES |           |             |   | THIRD-ANGLE PROJECTION  |  |
| DIMENSIONS IN [ ] ARE MILLIMETERS                        |           |             |   |   |  |
| TOLERANCES:  |           |             |   | CABLE LENGTH (L) TOLERANCES:  |  |
| X = ±.2  | [5.08]    | FRACTIONS   | L ± 1/2 B065 = +1 [25] / -0                 |   |  |
| XX = ±.02  | [.51]     | ± 1/32      | 12 [305] < L ≤ 60 [1524] = +2 [51] / -0     | THE INFORMATION AND DESIGN IN THIS DOCUMENT IS THE PROPERTY OF FAIRVIEW MICROWAVE CORPORATION. ALL RIGHTS RESERVED. |  |
| XXX = ±.005  | [.13]     | ANGLES ± 1° | 60 [1524] < L ≤ 120 [3048] = +4 [102] / -0  | SHEET 1 OF 1  |  |
|  |           |             | 120 [3048] < L ≤ 300 [7620] = +6 [152] / -0 | SCALE N/A   |  |
|  |           |             | 300 [7620] < L = +5% / -0                   | REV A   |  |
| SIZE   | GAGE CODE | DRAWN BY    | ITEM NO.                                    |   |  |
| A  | 3FKRS     | K.DANG      | FMCP1150                                    |   |  |
| ALL DIMENSIONS SHOWN ARE FOR REFERENCE ONLY.             |           |             |   |   |  |