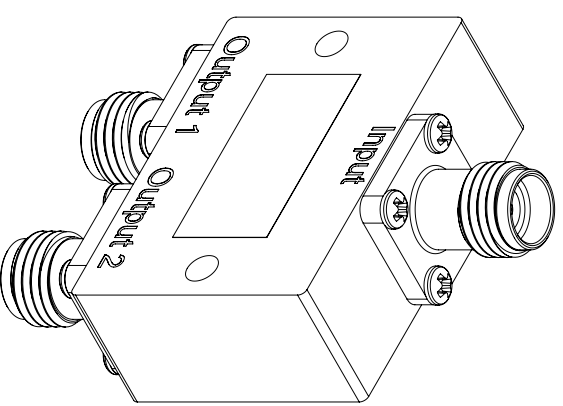


LABEL

FAIRVIEW MICROWAVE
FMDV1062
 D/C: XXXX

STANDARD TOLERANCES
 .X ±0.2
 .XX ±0.01
 .XXX ±0.005

*STANDARD TOLERANCES APPLY ONLY TO DIMENSIONS IN INCHES



NOTES:
 1. UNLESS OTHERWISE SPECIFIED ALL DIMENSIONS ARE NOMINAL.
 2. ALL SPECIFICATIONS ARE SUBJECT TO CHANGE WITHOUT NOTICE AT ANY TIME.
 3. DIMENSIONS ARE IN INCHES [mm].

TITLE	
FMDV1062	

DWG NO	FMDV1062	CAGE CODE	3FKR5
CAD FILE	01/30/19	SHEET	1 OF 1
SCALE	N/A	SIZE	A
			7361