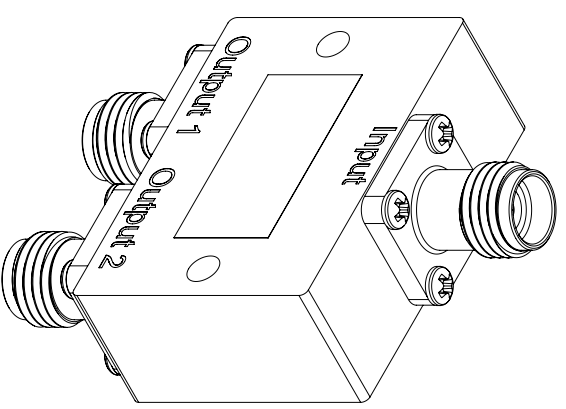


**LABEL**

**FAIRVIEW MICROWAVE**  
**FMDV1065**  
 D/C: XXXX

**STANDARD TOLERANCES**  
 .X ±0.2  
 .XX ±0.01  
 .XXX ±0.005

\*STANDARD TOLERANCES APPLY ONLY TO DIMENSIONS IN INCHES



TITLE	
-------	--

NOTES: 1. UNLESS OTHERWISE SPECIFIED ALL DIMENSIONS ARE NOMINAL. 2. ALL SPECIFICATIONS ARE SUBJECT TO CHANGE WITHOUT NOTICE AT ANY TIME. 3. DIMENSIONS ARE IN INCHES [mm].	
DWG NO	FMDV1065
CAGE CODE	3FKR5
CAD FILE	01/30/19
SHEET	1 OF 1
SCALE	N/A
SIZE	A
	7361