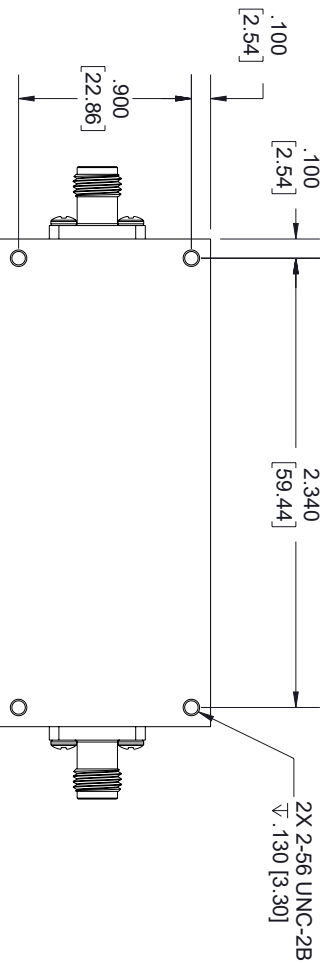
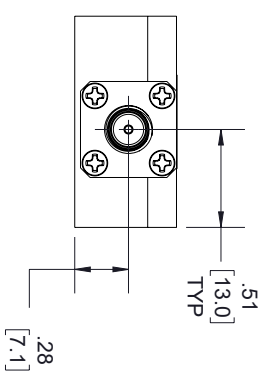
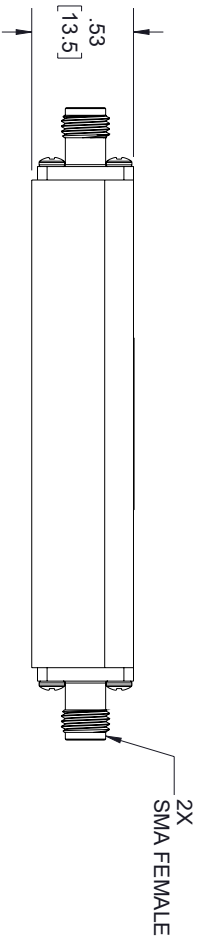
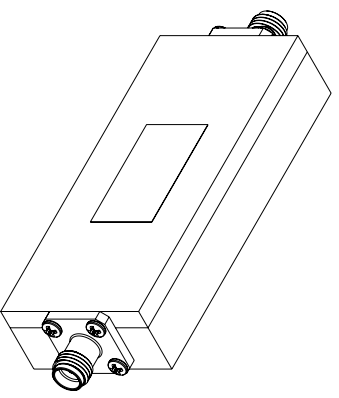
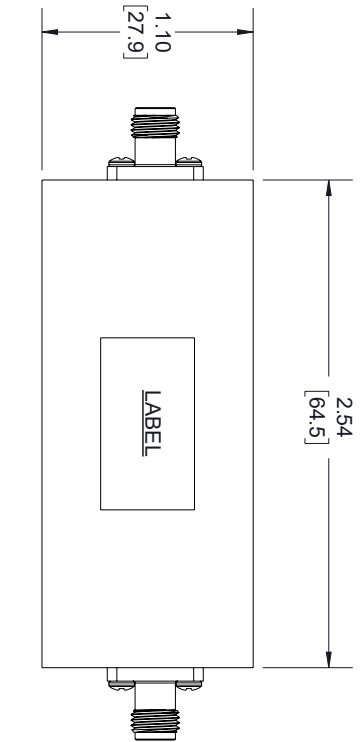


REVISIONS			
REV.	DESCRIPTION	DATE	APPROVED
A	INITIAL RELEASE	10/21/2022	S. PONG



P/N: 8701A
2200-2500 MHZ
D/C: YYYYWW

LABEL

THESE COMMODITIES, TECHNOLOGY OR SOFTWARE WERE EXPORTED FROM THE UNITED STATES IN ACCORDANCE WITH THE EXPORT ADMINISTRATION REGULATIONS, DIVERSION CONTRARY TO U.S. LAW PROHIBITED.



TITLE

UNLESS OTHERWISE SPECIFIED LEADING DIMENSIONS ARE INCHES				THIRD-ANGLE PROJECTION	
DIMENSIONS IN [] ARE MILLIMETERS					
TOLERANCES:				THE INFORMATION AND DESIGN IN THIS DOCUMENT IS THE PROPERTY OF FAIRVIEW MICROWAVE CORPORATION. ALL RIGHTS RESERVED.	
CABLE LENGTH (L) TOLERANCES:		L ± 1/2 (B06) = +1/2 (S) / -0		SHEET 1 OF 1	
L ± 1/2 (B05) = +1/2 (S) / -0		12 (B05) < L ≤ 60 (B24) = +2 (S) / -0		SCALE N/A	
60 (B24) < L ≤ 120 (B48) = +4 (B) / -0		120 (B48) < L ≤ 300 (B20) = +6 (B2) / -0		REV A	
300 (B20) < L = +5% / -0				ITEM NO. FMFL8701A	
DRAWN BY K.DANG		GAGE CODE 3FKR5		SIZE A	
ALL DIMENSIONS SHOWN ARE FOR REFERENCE ONLY.					