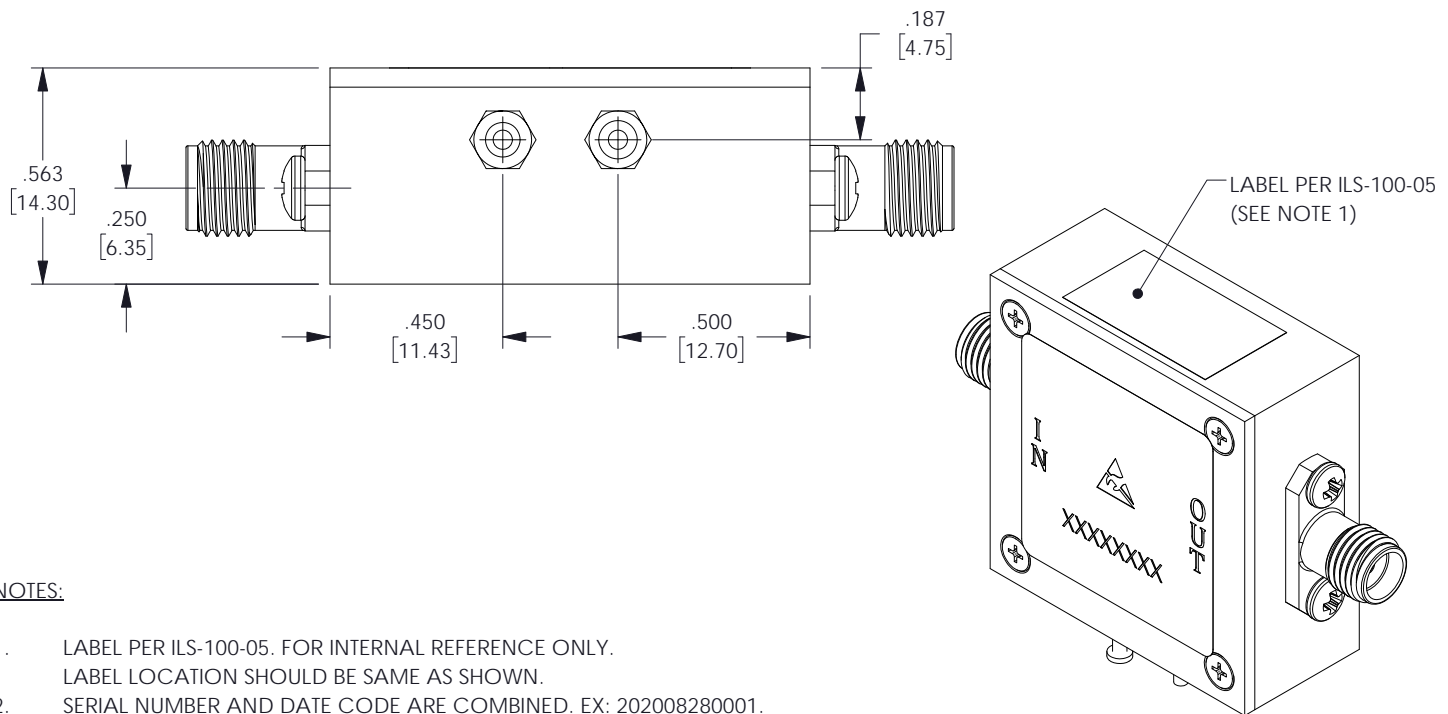
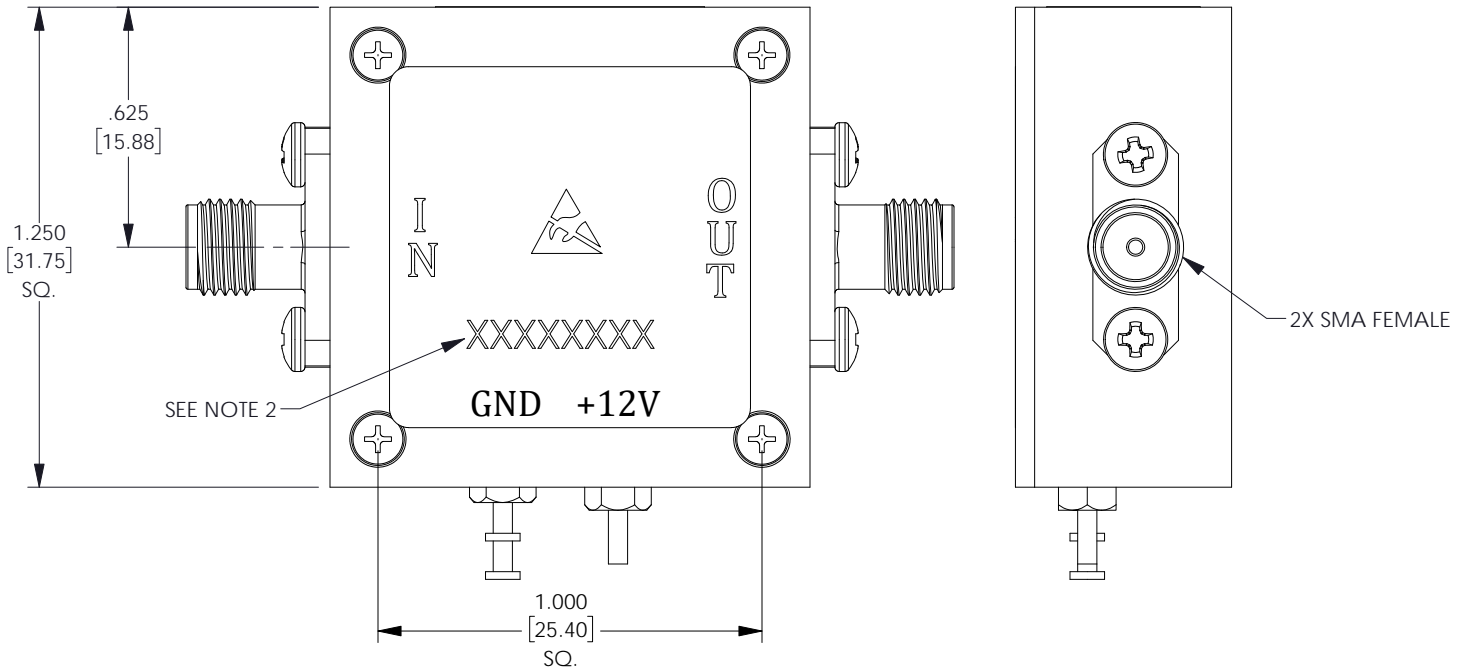


| REVISIONS | | | |
|-----------|-----------------|------------|----------|
| REV. | DESCRIPTION | DATE | APPROVED |
| A | INITIAL RELEASE | 03-24-2021 | TGALLA |



NOTES:

1. LABEL PER ILS-100-05. FOR INTERNAL REFERENCE ONLY. LABEL LOCATION SHOULD BE SAME AS SHOWN.
2. SERIAL NUMBER AND DATE CODE ARE COMBINED. EX: 202008280001.

THESE COMMODITIES, TECHNOLOGY OR SOFTWARE WERE EXPORTED FROM THE UNITED STATES IN ACCORDANCE WITH THE EXPORT ADMINISTRATION REGULATIONS. DIVERSION CONTRARY TO U.S. LAW PROHIBITED.



| | | | |
|-------|-----------|------------|----------|
| TITLE | | | |
| SIZE | CAGE CODE | DRAWN BY | ITEM NO. |
| A | 3FKR5 | DFRISIELLO | FMFX2015 |

| | |
|---|---|
| UNLESS OTHERWISE SPECIFIED LEADING DIMENSIONS ARE INCHES DIMENSIONS IN [] ARE MILLIMETERS | |
| TOLERANCES: | CABLE LENGTH (L) TOLERANCES: |
| X = ±.2 [5.08] FRACTIONS | L ≤ 12 [305] = +1 [25] / -0 |
| XX = ±.02 [.51] ± 1/32 | 12 [305] < L ≤ 60 [1524] = +2 [51] / -0 |
| XXX = ±.005 [.13] ANGLES ± 1° | 60 [1524] < L ≤ 120 [3048] = +4 [102] / -0 |
| | 120 [3048] < L ≤ 300 [7620] = +6 [152] / -0 |
| | 300 [7620] < L = +5%L / -0 |
| ALL DIMENSIONS SHOWN ARE FOR REFERENCE ONLY. | |

| | |
|---|----|
| THIRD-ANGLE PROJECTION | |
| | |
| THE INFORMATION AND DESIGN IN THIS DOCUMENT IS THE PROPERTY OF FAIRVIEW MICROWAVE CORPORATION. ALL RIGHTS RESERVED. | |
| SHEET | OF |
| 1 | 1 |
| SCALE | |
| N/A | |