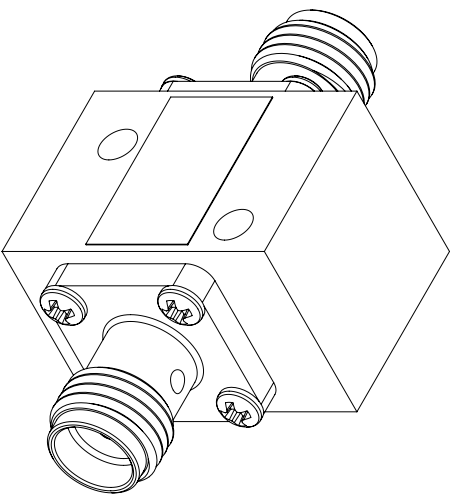
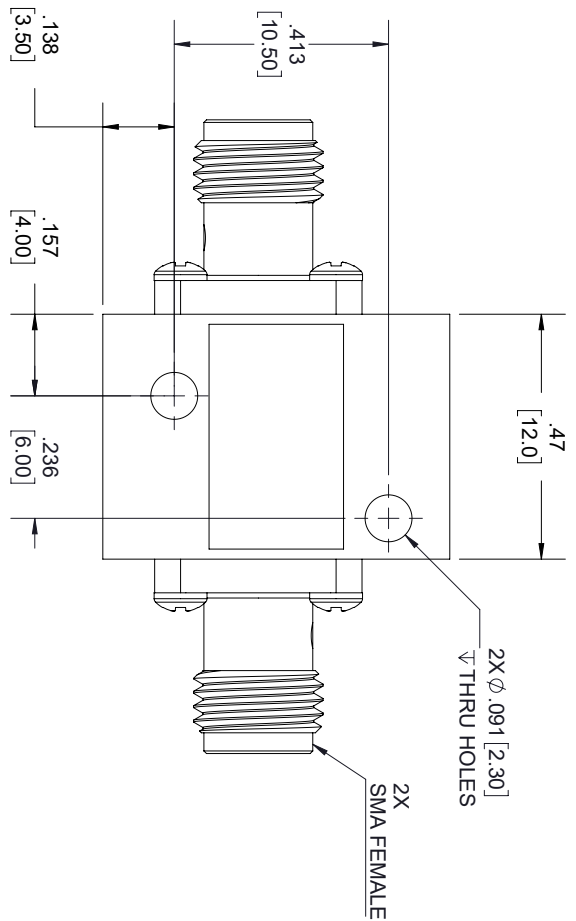


REVISIONS			
REV.	DESCRIPTION	DATE	APPROVED
A	INITIAL RELEASE	3/12/2020	S.PONG



<b>FAIRVIEW MICROWAVE</b>	
1	FMIR1028
	D/C: WWWW
2	

LABEL

THESE COMMODITIES, TECHNOLOGY OR SOFTWARE WERE EXPORTED FROM THE UNITED STATES IN ACCORDANCE WITH THE EXPORT ADMINISTRATION REGULATIONS, DIVERSION CONTRARY TO U.S. LAW PROHIBITED.



TITLE

UNLESS OTHERWISE SPECIFIED LEADING DIMENSIONS ARE INCHES DIMENSIONS IN [ ] ARE MILLIMETERS				
TOLERANCES:		CABLE LENGTH (L) TOLERANCES:		
X = ±.2	[5.08]	FRACTIONS	L ≤ 12 [305]	= +1 [25] / -0
XX = ±.02	[.51]	±.1/32	12 [305] < L ≤ 60 [1524]	= +2 [51] / -0
XXX = ±.005	[.13]	ANGLES ± 1°	60 [1524] < L ≤ 120 [3048]	= +4 [102] / -0
			120 [3048] < L ≤ 300 [7620]	= +6 [152] / -0
			300 [7620] < L	= +5%L / -0
SIZE	GAGE CODE	DRAWN BY	ITEM NO.	SCALE
A	3FKRS	K.DANG	FMIR1028	N/A
ALL DIMENSIONS SHOWN ARE FOR REFERENCE ONLY.				
THE INFORMATION AND DESIGN IN THIS DOCUMENT IS THE PROPERTY OF FAIRVIEW MICROWAVE CORPORATION. ALL RIGHTS RESERVED.		THIRD-ANGLE PROJECTION		
SHEET 1		OF 1		
REV A		REV A		