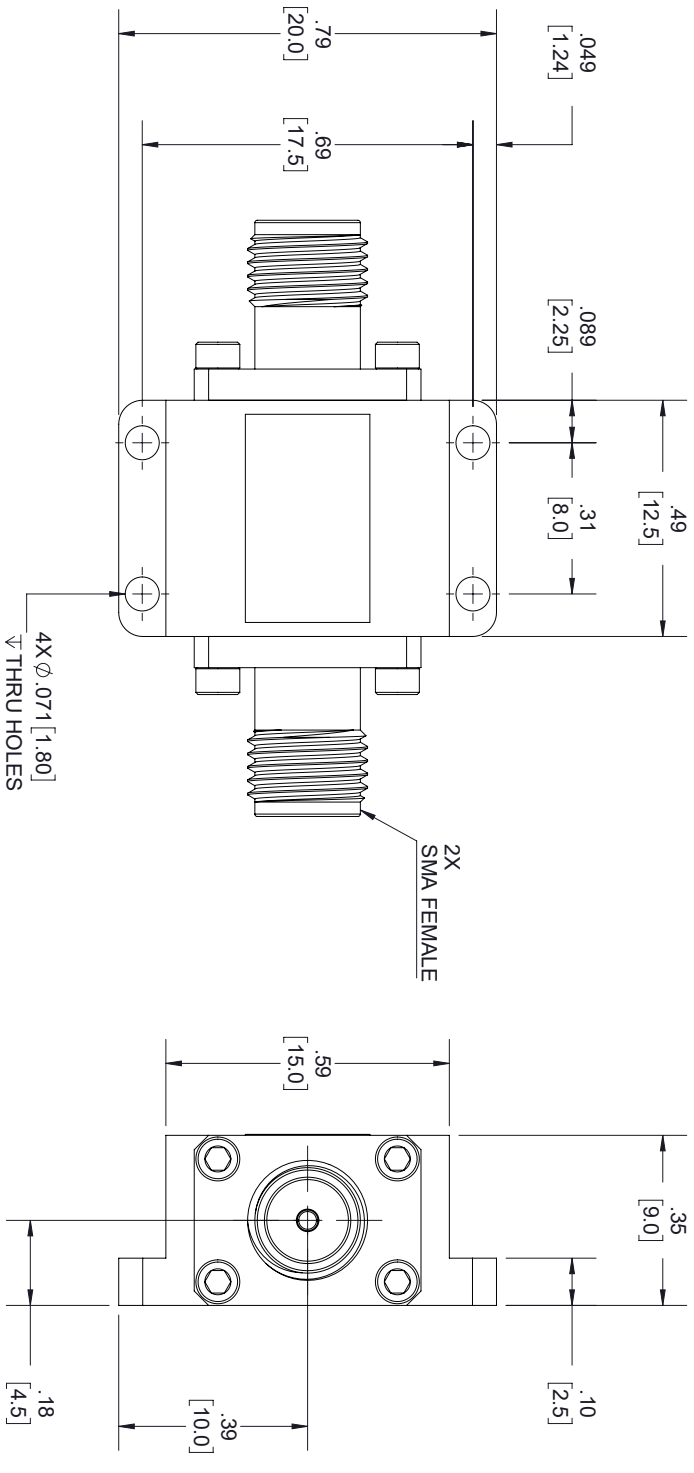
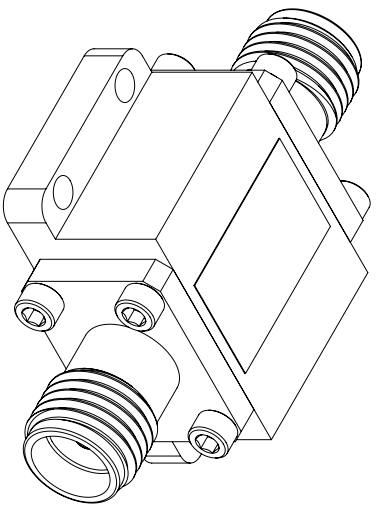


REVISIONS			
REV.	DESCRIPTION	DATE	APPROVED
A	INITIAL RELEASE	3/13/2020	S.PONG



FAIRVIEW MICROWAVE	
1	FMR1029
	D/C: WWWW
2	

LABEL



THESE COMMODITIES, TECHNOLOGY OR SOFTWARE WERE EXPORTED FROM THE UNITED STATES IN ACCORDANCE WITH THE EXPORT ADMINISTRATION REGULATIONS, DIVERSION CONTRARY TO U.S. LAW PROHIBITED.



TITLE		UNLESS OTHERWISE SPECIFIED LEADING DIMENSIONS ARE INCHES		THIRD-ANGLE PROJECTION	
SIZE		DIMENSIONS IN [] ARE MILLIMETERS		THE INFORMATION AND DESIGN IN THIS DOCUMENT IS THE PROPERTY OF FAIRVIEW MICROWAVE CORPORATION. ALL RIGHTS RESERVED.	
A	GAGE CODE	CABLE LENGTH (L) TOLERANCES:		SCALE	
	3FKRS	L ≤ 12 (305) = +1 (25) / -0		N/A	
		12 (305) < L ≤ 60 (1524) = +2 (51) / -0		REV	
		60 (1524) < L ≤ 120 (3048) = +4 (102) / -0		A	
		120 (3048) < L ≤ 300 (7620) = +6 (152) / -0			
		300 (7620) < L = +5%L / -0			
ALL DIMENSIONS SHOWN ARE FOR REFERENCE ONLY.		TOLERANCES:		SHEET	
		X = ±.2 [5.08] FRACTIONS ±.1/32		1	
		XX = ±.02 [.51] ANGLES ± 1°		OF	
		XXX = ±.005 [.13]		1	