

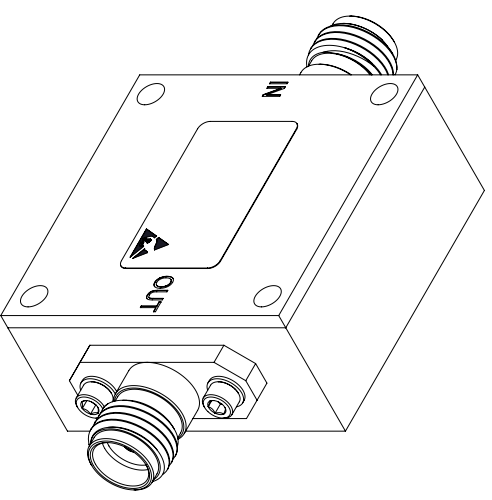
LABEL


Fairview Microwave
 an INFINIT@ brand
FMLM2003
 S/N: XXXXXXXX
 D/C: XXXY

STANDARD TOLERANCES

| | |
|------|--------|
| .X | ±0.2 |
| .XX | ±0.01 |
| .XXX | ±0.005 |

*STANDARD TOLERANCES APPLY ONLY TO DIMENSIONS IN INCHES



TITLE

NOTES:
 1. UNLESS OTHERWISE SPECIFIED ALL DIMENSIONS ARE NOMINAL.
 2. ALL SPECIFICATIONS ARE SUBJECT TO CHANGE WITHOUT NOTICE AT ANY TIME.
 3. DIMENSIONS ARE IN INCHES [mm].

| | | | |
|----------|----------|-----------|--------|
| DWG NO | | CAGE CODE | |
| FMLM2003 | | 3FKR5 | |
| CAD FILE | 05/09/18 | SHEET | 1 OF 1 |
| SCALE | N/A | SIZE | A |
| | | | 7361 |