

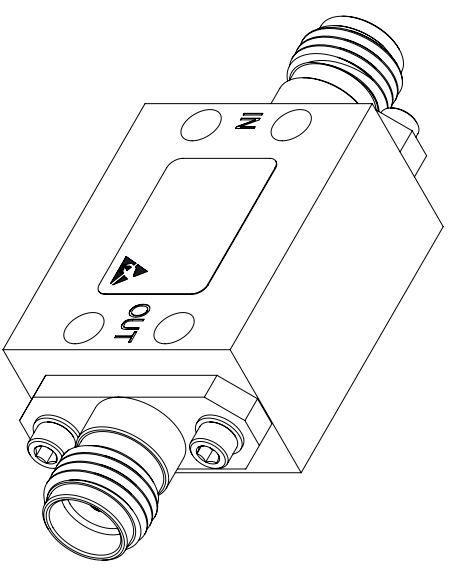
**LABEL**


**Fairview Microwave**  
 an INFINIT@ brand  
**FMLM2005**  
 S/N: XXXXXXXX  
 D/C: XXXY

**STANDARD TOLERANCES**

.X	±0.2
.XX	±0.01
.XXX	±0.005

\*STANDARD TOLERANCES APPLY ONLY TO DIMENSIONS IN INCHES



TITLE

NOTES:  
 1. UNLESS OTHERWISE SPECIFIED ALL DIMENSIONS ARE NOMINAL.  
 2. ALL SPECIFICATIONS ARE SUBJECT TO CHANGE WITHOUT NOTICE AT ANY TIME.  
 3. DIMENSIONS ARE IN INCHES [mm].

DWG NO	FMLM2005	CAGE CODE	3FKR5
CAD FILE	05/09/18	SHEET	1 OF 1
SCALE	N/A	SIZE	A
			7361