

**SMA MALE
INPUT
J1**

**SMA FEMALE
OUTPUT
J2**

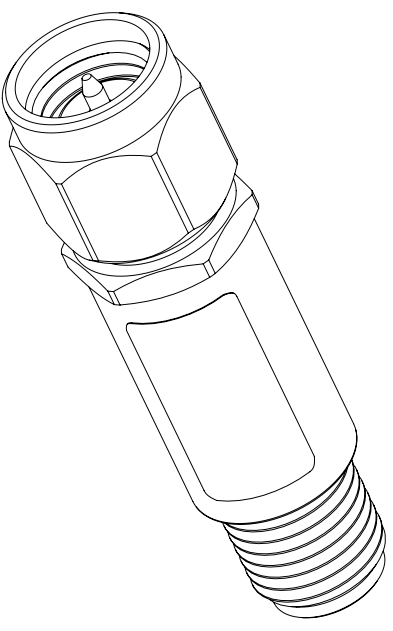
LABEL


Fairview Microwave
 RF COMPONENTS ON DEMAND. *Done!*
 www.fairviewmicrowave.com
FMMT10024

STANDARD TOLERANCES

.X	±0.2
.XX	±0.01
.XXX	±0.005

*STANDARD TOLERANCES APPLY ONLY TO DIMENSIONS IN INCHES



NOTES:
 1. UNLESS OTHERWISE SPECIFIED ALL DIMENSIONS ARE NOMINAL.
 2. ALL SPECIFICATIONS ARE SUBJECT TO CHANGE WITHOUT NOTICE AT ANY TIME.
 3. DIMENSIONS ARE IN INCHES [mm].

TITLE		DWG NO		CAGE CODE	
FMMT10024		FMMT10024		3FKR5	
CAD FILE	05/21/18	SHEET	1 OF 1	SCALE	N/A
		SIZE	A		7361