

**SMA MALE  
INPUT  
J1**

**SMA FEMALE  
OUTPUT  
J2**

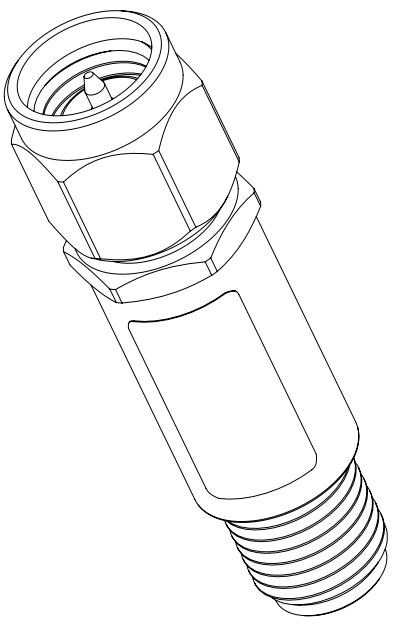
LABEL


**Fairview Microwave**  
 RF COMPONENTS ON DEMAND. *Done!*  
 www.fairviewmicrowave.com  
**FMMT1021**

STANDARD TOLERANCES

.X	±0.2
.XX	±0.01
.XXX	±0.005

\*STANDARD TOLERANCES APPLY ONLY TO DIMENSIONS IN INCHES



NOTES:  
 1. UNLESS OTHERWISE SPECIFIED ALL DIMENSIONS ARE NOMINAL.  
 2. ALL SPECIFICATIONS ARE SUBJECT TO CHANGE WITHOUT NOTICE AT ANY TIME.  
 3. DIMENSIONS ARE IN INCHES [mm].

TITLE		DWG NO		CAGE CODE	
		FMMT1021		3FKR5	
CAD FILE	05/21/18	SHEET	1 OF 1	SCALE	N/A
				SIZE	A
					7361