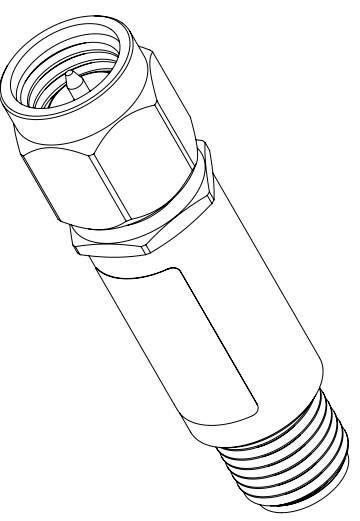


**LABEL**

**FAIRVIEW MICROWAVE**  
**IN FMMT6006 OUT**  
 SN: XXXXXXXXXX

**STANDARD TOLERANCES**  
 .X ±0.2  
 .XX ±0.01  
 .XXX ±0.005

\*STANDARD TOLERANCES APPLY ONLY TO DIMENSIONS IN INCHES



TITLE

NOTES:  
 1. UNLESS OTHERWISE SPECIFIED ALL DIMENSIONS ARE NOMINAL.  
 2. ALL SPECIFICATIONS ARE SUBJECT TO CHANGE WITHOUT NOTICE AT ANY TIME.  
 3. DIMENSIONS ARE IN INCHES [mm].

DWG NO	FMMT6006	CAGE CODE	3FKR5
CAD FILE	01/14/19	SHEET	1 OF 1
SCALE	N/A	SIZE	A
			7361