

**LABEL**

**FAIRVIEW MICROWAVE**

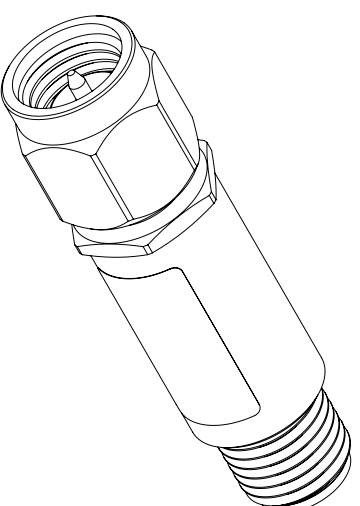
IN **FMMT6023** OUT

SN: XXXXXXXXXXX

**STANDARD TOLERANCES**

.X ±0.2  
 .XX ±0.01  
 .XXX ±0.005

\*STANDARD TOLERANCES APPLY ONLY TO DIMENSIONS IN INCHES



TITLE		DWG NO		CAGE CODE	
		FMMT6023		3FKR5	
CAD FILE	01/14/19	SHEET	1 OF 1	SCALE	N/A
				SIZE	A
					7361

NOTES:  
 1. UNLESS OTHERWISE SPECIFIED ALL DIMENSIONS ARE NOMINAL.  
 2. ALL SPECIFICATIONS ARE SUBJECT TO CHANGE WITHOUT NOTICE AT ANY TIME.  
 3. DIMENSIONS ARE IN INCHES [mm].