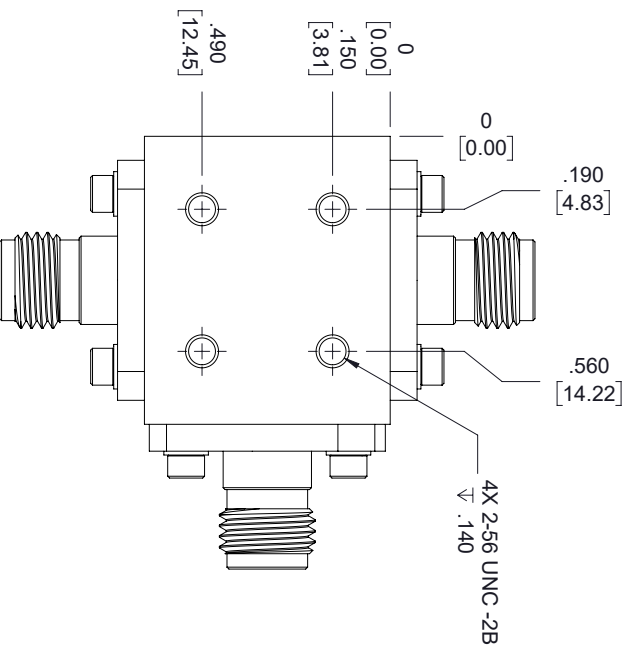
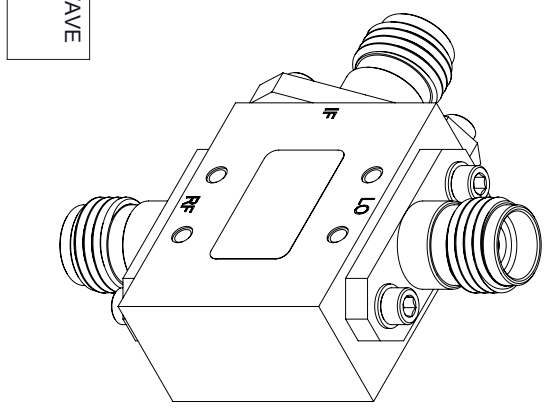
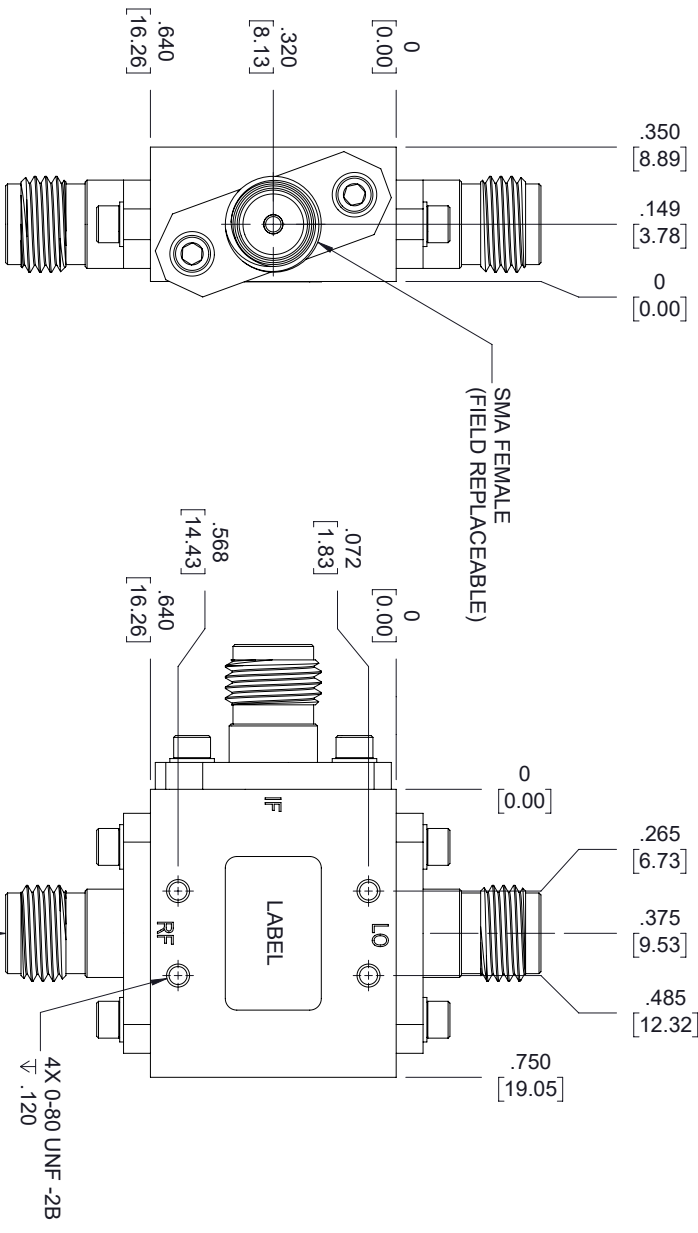


| REVISIONS | | | |
|-----------|-----------------|----------|----------|
| REV. | DESCRIPTION | DATE | APPROVED |
| A | INITIAL RELEASE | 11/08/19 | T.GALLA |



LABEL
 FAIRVIEW MICROWAVE
 FMMX1010
 D/C: YYYYWW

THESE COMMODITIES, TECHNOLOGY OR SOFTWARE WERE EXPORTED FROM THE UNITED STATES IN ACCORDANCE WITH THE EXPORT ADMINISTRATION REGULATIONS, DIVERSION CONTRARY TO U.S. LAW PROHIBITED.



TITLE

| | | | |
|---|----------|------------------------------|---|
| UNLESS OTHERWISE SPECIFIED LEADING DIMENSIONS ARE INCHES DIMENSIONS IN [] ARE MILLIMETERS | | | |
| TOLERANCES: | | CABLE LENGTH (L) TOLERANCES: | |
| X = ±.2 | [5.08] | FRACTIONS | L ≤ 12 [305] = +1 [25] / -0 |
| XX = ±.02 | [.51] | ± 1/32 | 12 [305] < L ≤ 60 [1524] = +2 [51] / -0 |
| XXX = ±.005 | [.13] | ANGLES ± 1° | 60 [1524] < L ≤ 120 [3048] = +4 [102] / -0 |
| | | | 120 [3048] < L ≤ 300 [7620] = +6 [152] / -0 |
| | | | 300 [7620] < L = +5%L / -0 |
| SIZE | DRAWN BY | PART NUMBER | SCALE |
| A | K.DANG | FMMX1010 | N/A |
| GAGE CODE | 3FKRS | | |
| ALL DIMENSIONS SHOWN ARE FOR REFERENCE ONLY. | | | |
| REV | REV | REV | REV |
| | | | A |



THIRD-ANGLE PROJECTION
 THE INFORMATION AND DESIGN IN THIS DOCUMENT IS THE PROPERTY OF FAIRVIEW MICROWAVE CORPORATION. ALL RIGHTS RESERVED.