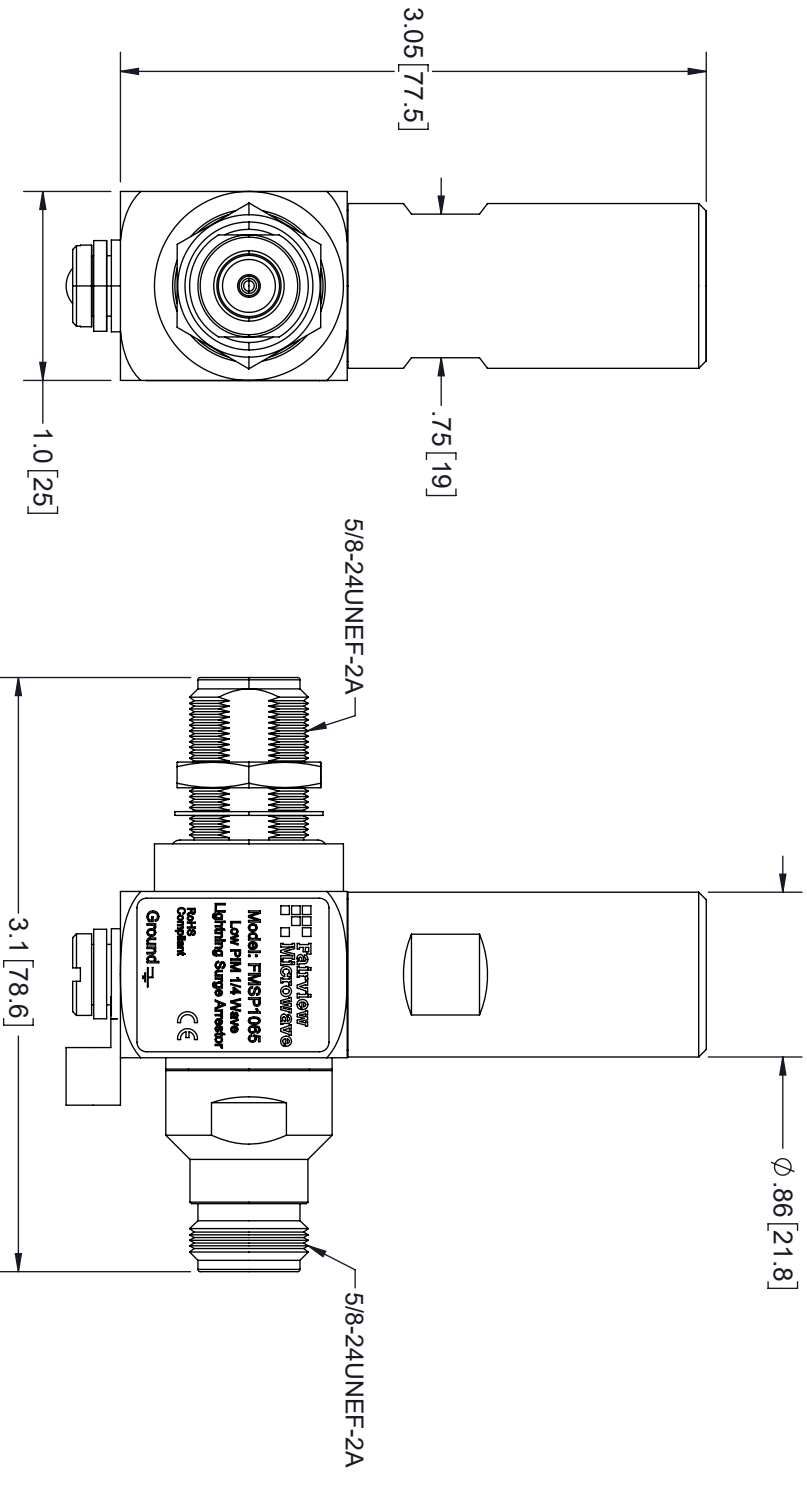
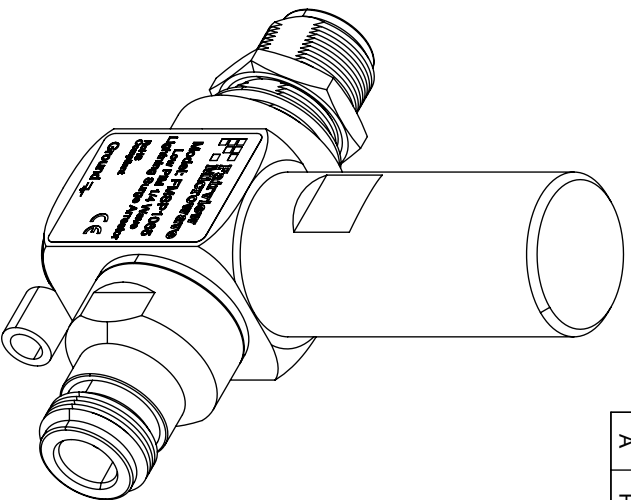


| REVISIONS | | | | |
|-----------|--------------------|-----|---------|----------|
| REV. | DESCRIPTION | ECN | DATE | APPROVED |
| A | PRODUCTION RELEASE | | 4/28/20 | DWR |



THESE COMMODITIES, TECHNOLOGY OR SOFTWARE WERE EXPORTED FROM THE UNITED STATES IN ACCORDANCE WITH THE EXPORT ADMINISTRATION REGULATIONS, DIVERSION CONTRARY TO U.S. LAW PROHIBITED.



TITLE

| | | | | | |
|---|-------------|---|--|---|--|
| UNLESS OTHERWISE SPECIFIED LEADING DIMENSIONS ARE INCHES DIMENSIONS IN [] ARE MILLIMETERS | | | | THIRD-ANGLE PROJECTION | |
| TOLERANCES: | | | | | |
| CABLE LENGTH (L) TOLERANCES: | | | | THE INFORMATION AND DESIGN IN THIS DOCUMENT IS THE PROPERTY OF FAIRVIEW MICROWAVE CORPORATION. ALL RIGHTS RESERVED. | |
| X = ±.2 [5.08] | FRACTIONS | 12 [305] < L ≤ 60 [1524] = ±.2 [51] / -0 | L ≤ 12 [305] = +.1 [25] / -0 | SCALE | |
| XX = ±.02 [.51] | ±.1/32 | 60 [1524] < L ≤ 120 [3048] = ±.4 [102] / -0 | 120 [3048] < L ≤ 300 [7620] = +.6 [152] / -0 | 1 | |
| XXX = ±.005 [.13] | ANGLES ± 1° | 300 [7620] < L = +5%L / -0 | | SHEET 1 OF 1 | |
| ALL DIMENSIONS SHOWN ARE FOR REFERENCE ONLY. | | | | REV 1:1 | |
| SIZE | GAGE CODE | DRAWN BY | ITEM NO. | REV | |
| A | 3FKR5 | DPM | FMSP1085 | A | |