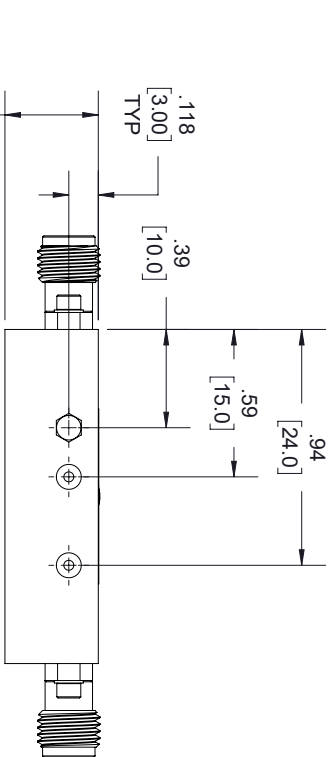
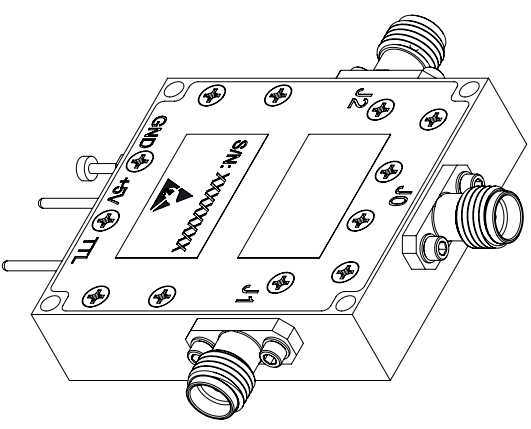
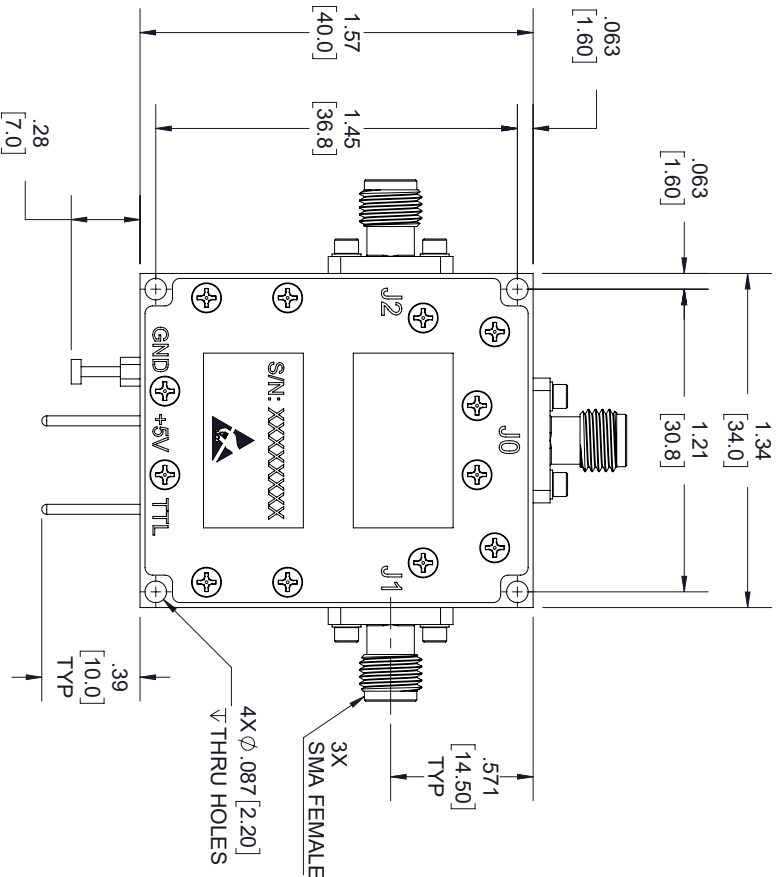


REVISIONS			
REV.	DESCRIPTION	DATE	APPROVED
A	INITIAL RELEASE	8/17/2020	T.GALLA



Truth Table		
Control Input TTL	Signal Path State	
1	J0-J1	
0	J0-J2	

LABEL



THESE COMMODITIES, TECHNOLOGY OR SOFTWARE WERE EXPORTED FROM THE UNITED STATES IN ACCORDANCE WITH THE EXPORT ADMINISTRATION REGULATIONS, DIVERSION CONTRARY TO U.S. LAW PROHIBITED.

Fairview Microwave™



TITLE

UNLESS OTHERWISE SPECIFIED LEADING DIMENSIONS ARE INCHES				THIRD-ANGLE PROJECTION	
DIMENSIONS IN [] ARE MILLIMETERS					
TOLERANCES:				THE INFORMATION AND DESIGN IN THIS DOCUMENT IS THE PROPERTY OF FAIRVIEW MICROWAVE CORPORATION. ALL RIGHTS RESERVED.	
CABLE LENGTH (L) TOLERANCES:		L ± 1/2 (806) = +1 (25) / -0		SHEET 1 OF 1	
FRACTIONS		12 (305) < L ≤ 60 (1524) = +2 (51) / -0		SCALE N/A	
± 1/32		60 (1524) < L ≤ 120 (3048) = +4 (102) / -0		REV A	
ANGLES ± 1°		120 (3048) < L ≤ 300 (7620) = +6 (152) / -0		REV A	
XXX ± .005 (.13)		300 (7620) < L = +5%L / -0		REV A	
ALL DIMENSIONS SHOWN ARE FOR REFERENCE ONLY.					
SIZE	GAGE CODE	DRAWN BY	ITEM NO.	REV	
A	3FKRS	K.DANG	FMSW1100		