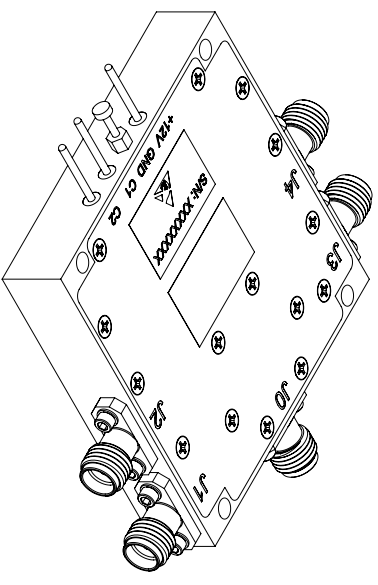
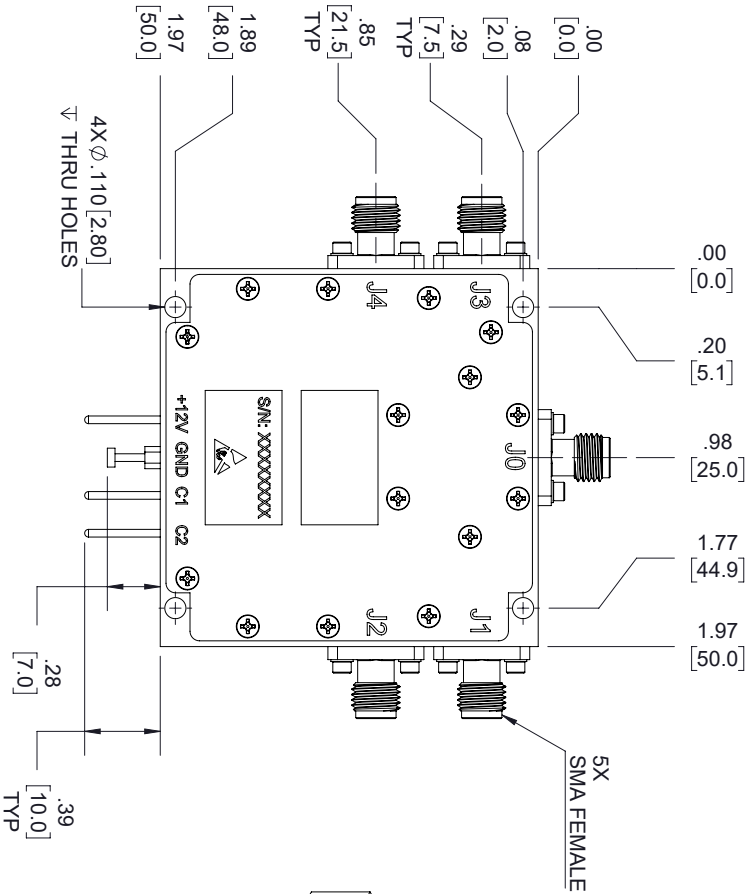
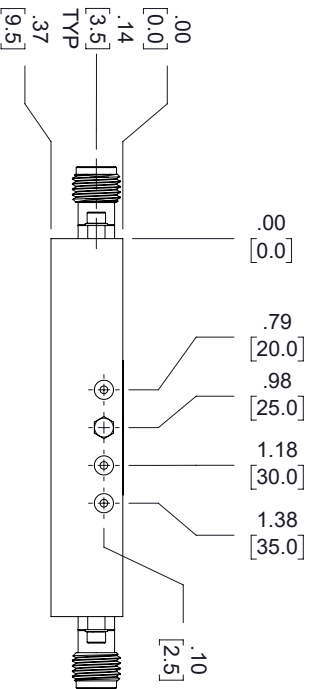


REVISIONS			
REV.	DESCRIPTION	DATE	APPROVED
A	INITIAL RELEASE	7/16/2020	T.GALLA



Truth Table

Control Input TTL		Signal Path State
C1	C2	
0	0	J0 - J1
0	1	J0 - J2
1	0	J0 - J3
1	1	J0 - J4



LABEL



THESE COMMODITIES, TECHNOLOGY OR SOFTWARE WERE EXPORTED FROM THE UNITED STATES IN ACCORDANCE WITH THE EXPORT ADMINISTRATION REGULATIONS, DIVERSION CONTRARY TO U.S. LAW PROHIBITED.

UNLESS OTHERWISE SPECIFIED LEADING DIMENSIONS ARE INCHES
DIMENSIONS IN [] ARE MILLIMETERS

TOLERANCES:

CABLE LENGTH (L) TOLERANCES:



THIRD-ANGLE PROJECTION

TOLERANCES:
 X = ±.2 [5.08] FRACTIONS 12 [305] < L ≤ 60 [1524] = ±.2 [51] / -0
 XX = ±.02 [.51] ±.1/32 60 [1524] < L ≤ 120 [3048] = ±.4 [102] / -0
 XXX = ±.005 [.13] ANGLES ± 1° 120 [3048] < L ≤ 300 [7620] = ±.6 [152] / -0
 300 [7620] < L = +5%/ -0

THE INFORMATION AND DESIGN IN THIS DOCUMENT IS THE PROPERTY OF FAIRVIEW MICROWAVE CORPORATION. ALL RIGHTS RESERVED.
SHEET 1 OF 1

ALL DIMENSIONS SHOWN ARE FOR REFERENCE ONLY.

SCALE

SIZE

A

CAGE CODE

3FKR5

DRAWN BY

K.DANG

ITEM NO.

FMSW1104

REV

A

TITLE

T:Rev D