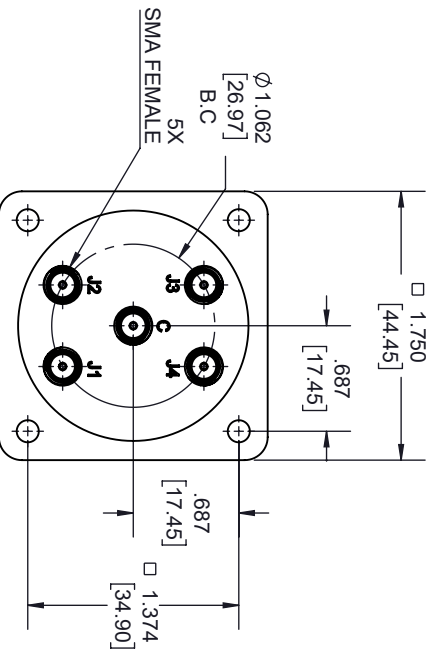
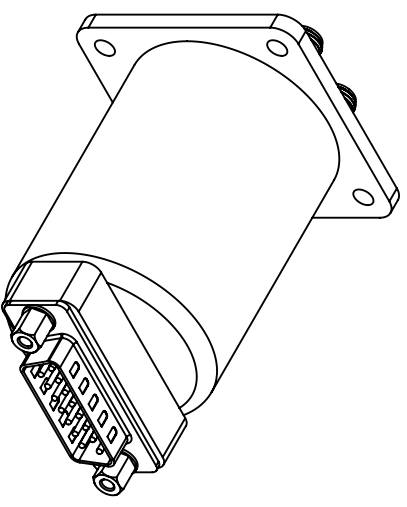
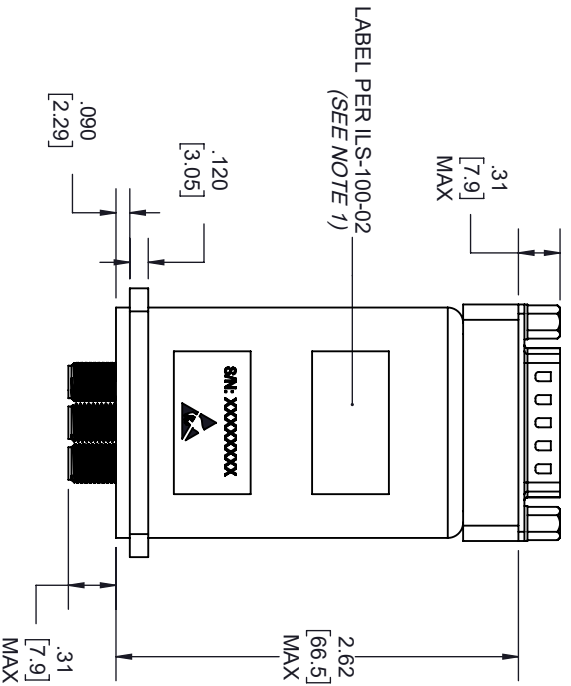
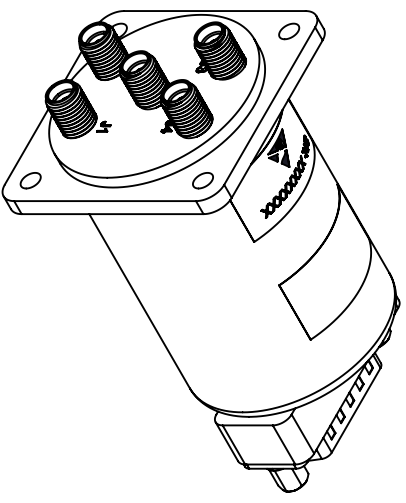
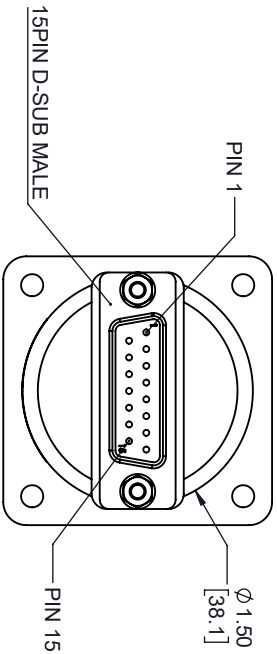


REVISIONS			
REV.	DESCRIPTION	DATE	APPROVED
A	INITIAL RELEASE	9/11/2020	T.GALLA



- NOTES:
- LABEL PER ILS-100-02. FOR INTERNAL REFERENCE ONLY.  
LABEL LOCATION FOR REFERENCE ONLY.

THESE COMMODITIES, TECHNOLOGY OR SOFTWARE WERE EXPORTED FROM THE UNITED STATES IN ACCORDANCE WITH THE EXPORT ADMINISTRATION REGULATIONS, DIVERSION CONTRARY TO U.S. LAW PROHIBITED.



UNLESS OTHERWISE SPECIFIED LEADING DIMENSIONS ARE INCHES  
DIMENSIONS IN [ ] ARE MILLIMETERS

THIRD-ANGLE PROJECTION

TOLERANCES:  
 X = ±.2 FRACTIONS  
 XX = ±.02 [ .51]  
 XXX = ±.005 [ .13]  
 ANGLES ± 1°

CABLE LENGTH (L) TOLERANCES:  
 L ≤ 12 (305) = +1 [25] / -0  
 12 (305) < L ≤ 60 (1524) = +2 [51] / -0  
 60 (1524) < L ≤ 120 (3048) = +4 [102] / -0  
 120 (3048) < L ≤ 300 (7620) = +6 [152] / -0  
 300 (7620) < L = +5% / -0

THE INFORMATION AND DESIGN IN THIS DOCUMENT IS THE PROPERTY OF FAIRVIEW MICROWAVE CORPORATION. ALL RIGHTS RESERVED.

ALL DIMENSIONS SHOWN ARE FOR REFERENCE ONLY.

SIZE	GAGE CODE	DRAWN BY	ITEM NO.	SCALE	REV
A	3FKRS	K.DANG	FMSW6423	N/A	A