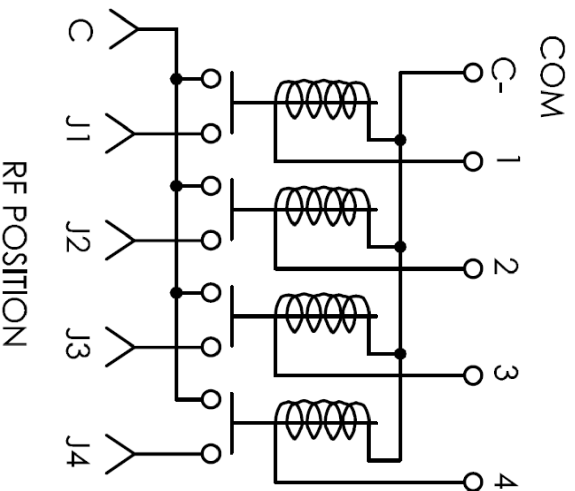
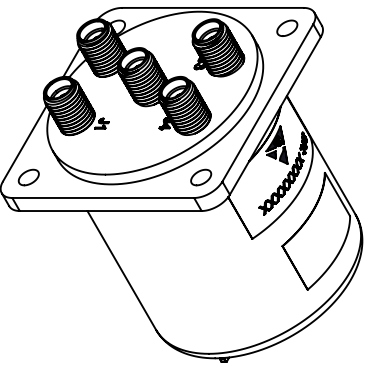


REVISIONS			
REV.	DESCRIPTION	DATE	APPROVED
A	INITIAL RELEASE	1/27/2021	T.GALLA



## SCHEMATIC



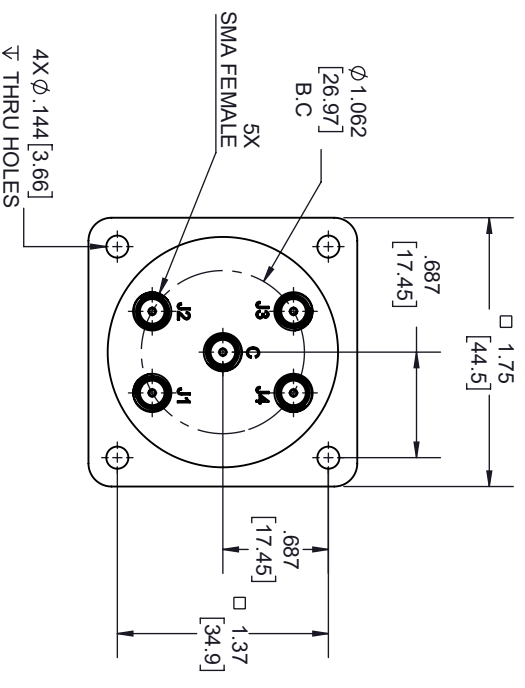
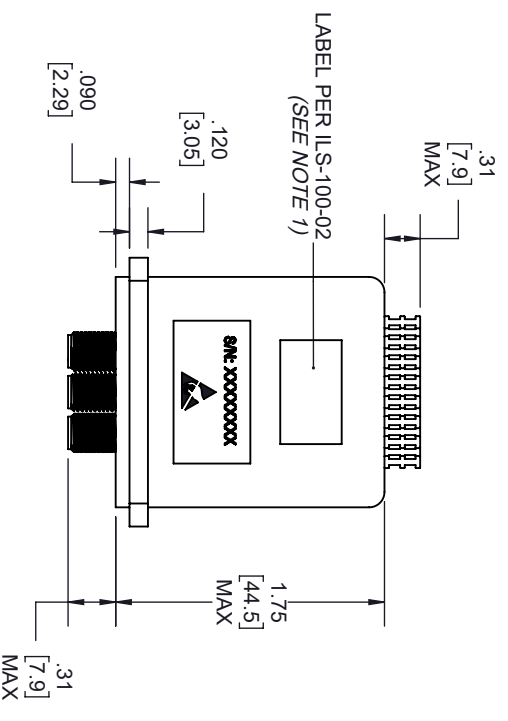
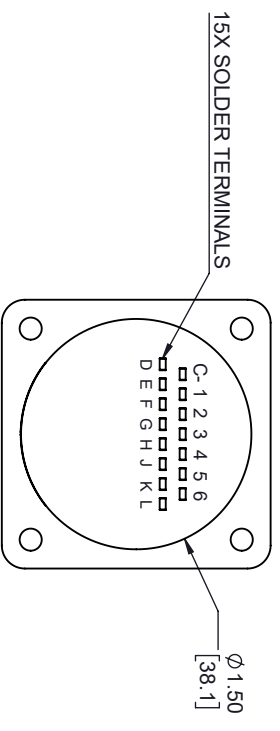
### NOTES:

1. LABEL PER ILS-100-02. FOR INTERNAL REFERENCE ONLY.
  2. LABEL LOCATION FOR REFERENCE ONLY.
- PINS 5, 6, D, E, F, G, H, J, K, L ARE NO CONNECTION (N/C).

THESE COMMODITIES, TECHNOLOGY OR SOFTWARE WERE EXPORTED FROM THE UNITED STATES IN ACCORDANCE WITH THE EXPORT ADMINISTRATION REGULATIONS, DIVERSION CONTRARY TO U.S. LAW PROHIBITED.



TITLE



UNLESS OTHERWISE SPECIFIED LEADING DIMENSIONS ARE INCHES

DIMENSIONS IN [ ] ARE MILLIMETERS

TOLERANCES:

CABLE LENGTH (L) TOLERANCES:



THIRD-ANGLE PROJECTION

X = ±.2 [5.08]  
XX = ±.02 [.51]  
XXX = ±.005 [.13]

FRACTIONS  
±.1/32  
ANGLES ± 1°

L ≤ 12 [305] = +1 [25] / -0  
12 [305] < L ≤ 60 [1524] = +2 [51] / -0  
60 [1524] < L ≤ 120 [3048] = +4 [102] / -0  
120 [3048] < L ≤ 300 [7620] = +6 [152] / -0  
300 [7620] < L = +5% / -0

THE INFORMATION AND DESIGN IN THIS DOCUMENT IS THE PROPERTY OF FAIRVIEW MICROWAVE CORPORATION. ALL RIGHTS RESERVED.

SHEET 1 OF 1

SIZE	GAGE CODE	DRAWN BY	ITEM NO.	SCALE	REV
A	3FKRS	K.DANG	FMSW6453	N/A	A

ALL DIMENSIONS SHOWN ARE FOR REFERENCE ONLY.