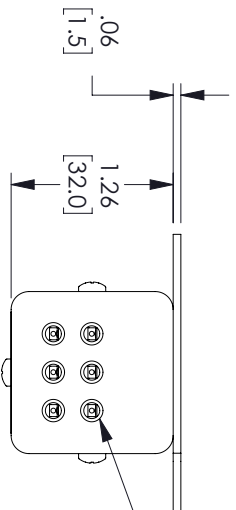
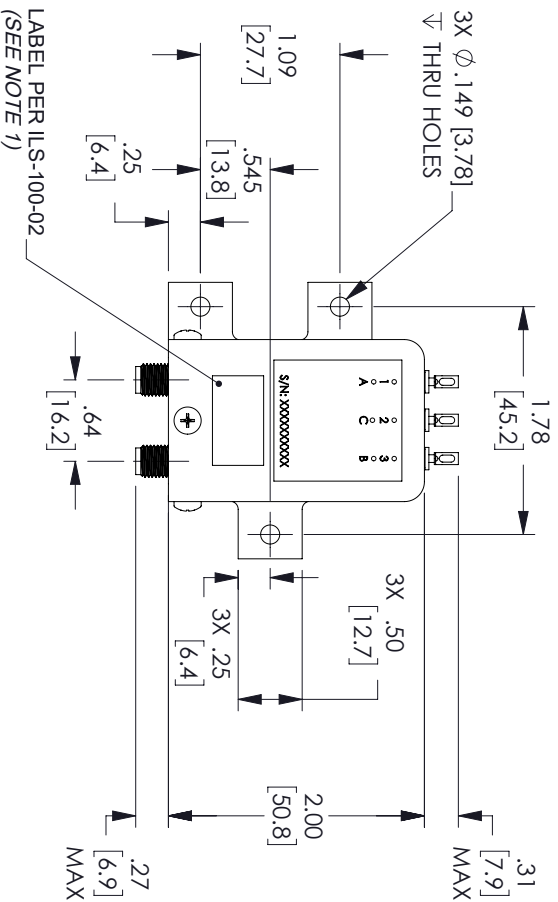


| REVISIONS | | | |
|-----------|-----------------|------------|----------|
| REV. | DESCRIPTION | DATE | APPROVED |
| A | INITIAL RELEASE | 05/19/2022 | T.GALLA |

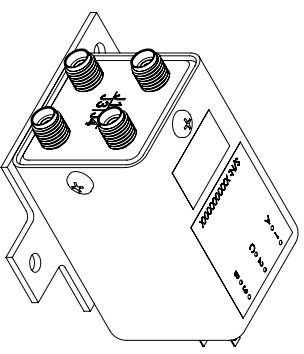
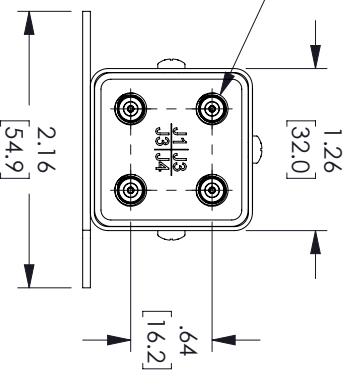


6X SOLDER TERMINALS,
SOLDER WIRE USING SN96,
MAXIMUM TEMP 250 °C FOR
NO MORE THAN 5 SEC.



LABEL PER ILS-100-02
(SEE NOTE 1)

4X K TYPE FEMALE
CONNECTOR



- NOTES:**
- LABEL PER ILS-100-02, FOR INTERNAL REFERENCE ONLY.
LABEL LOCATION FOR REFERENCE ONLY.

THESE COMMODITIES, TECHNOLOGY OR SOFTWARE WERE EXPORTED FROM THE UNITED STATES IN ACCORDANCE WITH THE EXPORT ADMINISTRATION REGULATIONS, DIVERSION CONTRARY TO U.S. LAW PROHIBITED.



TITLE

| | | | | | |
|--|-----------------|---|-------|---|--|
| UNLESS OTHERWISE SPECIFIED LEADING DIMENSIONS ARE INCHES | | | | THIRD-ANGLE PROJECTION | |
| DIMENSIONS IN [] ARE MILLIMETERS | | | | | |
| TOLERANCES: | | | | THE INFORMATION AND DESIGN IN THIS DOCUMENT IS THE PROPERTY OF FAIRVIEW MICROWAVE CORPORATION. ALL RIGHTS RESERVED. | |
| CABLE LENGTH (L) TOLERANCES: | | L ≤ 12 [305] = +1 [25] / -0 | | SHEET 1 OF 2 | |
| X = ±.2 [5.08] | | FRACTIONS 12 [305] < L ≤ 60 [1524] = +2 [51] / -0 | | SCALE N/A | |
| XX = ±.02 [.51] | | ±.1/32 60 [1524] < L ≤ 120 [3048] = +4 [102] / -0 | | REV A | |
| XXX = ±.005 [.13] | | ANGLES ± 1° 120 [3048] < L ≤ 300 [7620] = +6 [152] / -0 | | ITEM NO. FMSW6482 | |
| ALL DIMENSIONS SHOWN ARE FOR REFERENCE ONLY. | | 300 [7620] < L = +5% / -0 | | DRAWN BY KGLEBOVA | |
| SIZE A | GAGE CODE 3FKRS | ITEM NO. FMSW6482 | REV A | | |