

6

5

4

3

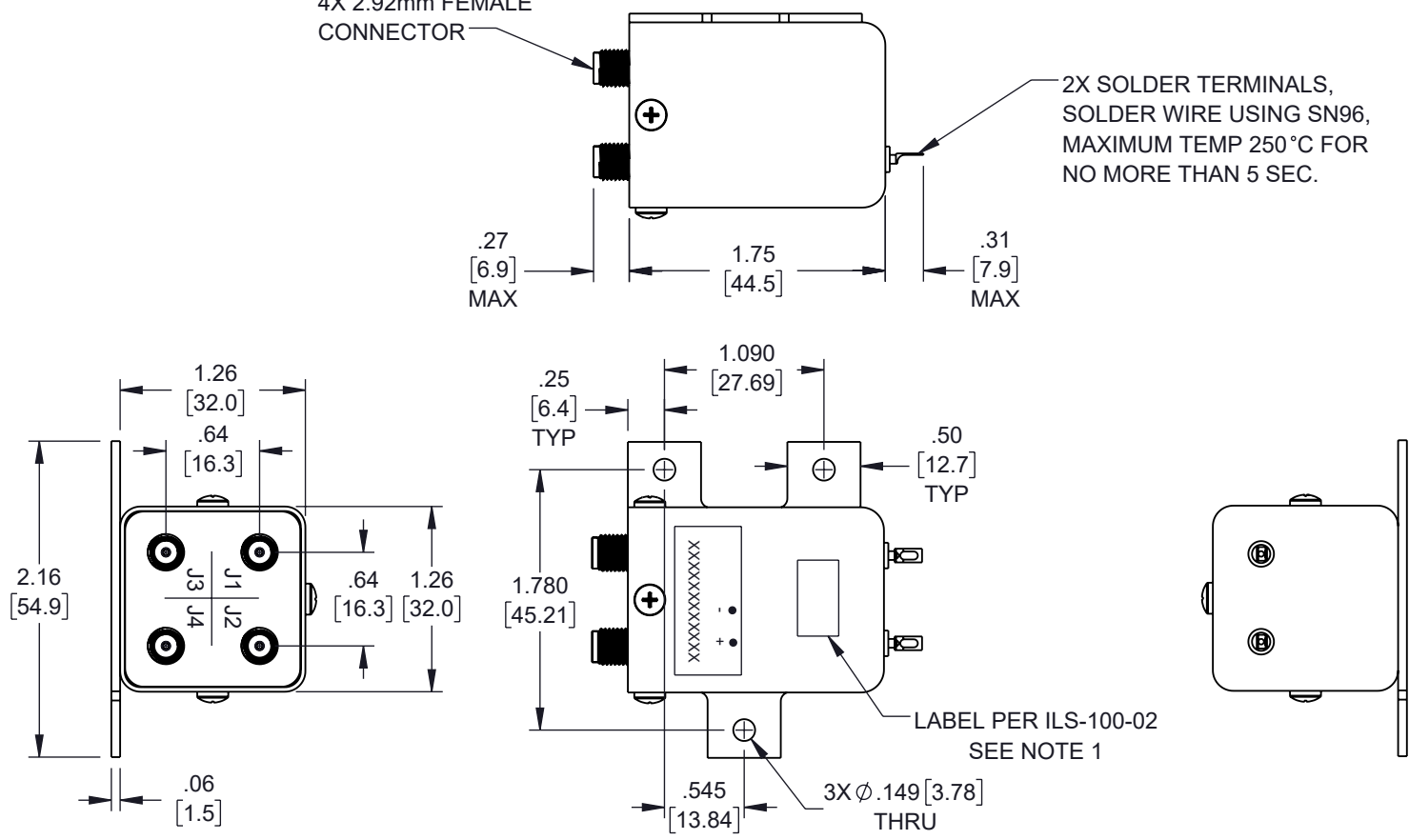
2

1

REVISION					
ZONE	REV.	DESCRIPTION	DATE	CHANGED BY	APPROVED BY
	A	INITIAL RELEASE	04/06/2023	BPUCHASKI	TGALLA

4X 2.92mm FEMALE CONNECTOR

2X SOLDER TERMINALS, SOLDER WIRE USING SN96, MAXIMUM TEMP 250 °C FOR NO MORE THAN 5 SEC.



**NOTES:**

- LABEL PER ILS-100-02 FOR INTERNAL REFERENCE ONLY  
LABEL LOCATION FOR REFERENCE ONLY

UNLESS OTHERWISE SPECIFIED LEADING DIMENSIONS ARE INCHES DIMENSIONS IN [ ] ARE MILLIMETERS

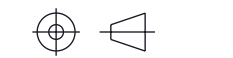
**TOLERANCES:**  
 .X = ±.2 [5]      FRACTIONS  
 .XX = ±.02 [.5]    ± 1/32  
 .XXX = ±.005 [.13]    ANGLES ± 1°

**CABLE LENGTH TOLERANCES:**  
 ≤12 [305] = +1 [25] / -0  
 >12 [305] ≤ 60 [1524] = +2 [51] / -0  
 >60 [1524] ≤ 120 [3048] = +4 [102] / -0  
 >120 [3048] ≤ 300 [7620] = +6 [152] / -0  
 >300 [7620] = +5% / -0

ALL DIMENSIONS ARE FOR REFERENCE ONLY AND SUBJECT TO CHANGE WITHOUT NOTICE.



Website: [www.FairviewMicrowave.com](http://www.FairviewMicrowave.com)  
 Phone: 1.800.715.4396 | 1.972.649.6678



INTERPRET ALL DIMENSIONS AND TOLERANCES PER ASME Y14.5

SCALE: NONE      SHEET: 1 OF 2

DESCRIPTION: TRAN, 2.92mm, failsafe, 43GHz, 28VDC, solder terminal

SIZE: A	CAGE CODE: 3FKR5	DRAWN BY: BPUCHASKI	ITEM NO.: FMSW7295	REV: A
---------	------------------	---------------------	--------------------	--------

THE INFORMATION CONTAINED IN THIS DRAWING IS THE SOLE PROPERTY OF INFINITE ELECTRONICS, INC. ANY REPRODUCTION IN PART OR WHOLE WITHOUT THE WRITTEN PERMISSION OF INFINITE ELECTRONICS, INC. IS PROHIBITED. THESE COMMODITIES, TECHNOLOGY OR SOFTWARE WERE EXPORTED FROM THE UNITED STATES IN ACCORDANCE WITH THE EXPORT ADMINISTRATION REGULATIONS. DIVERSION CONTRARY TO U.S. LAW PROHIBITED.

6

5

4

3

2

1