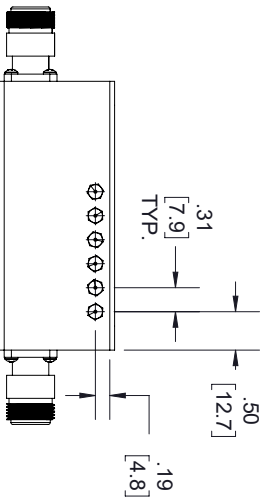
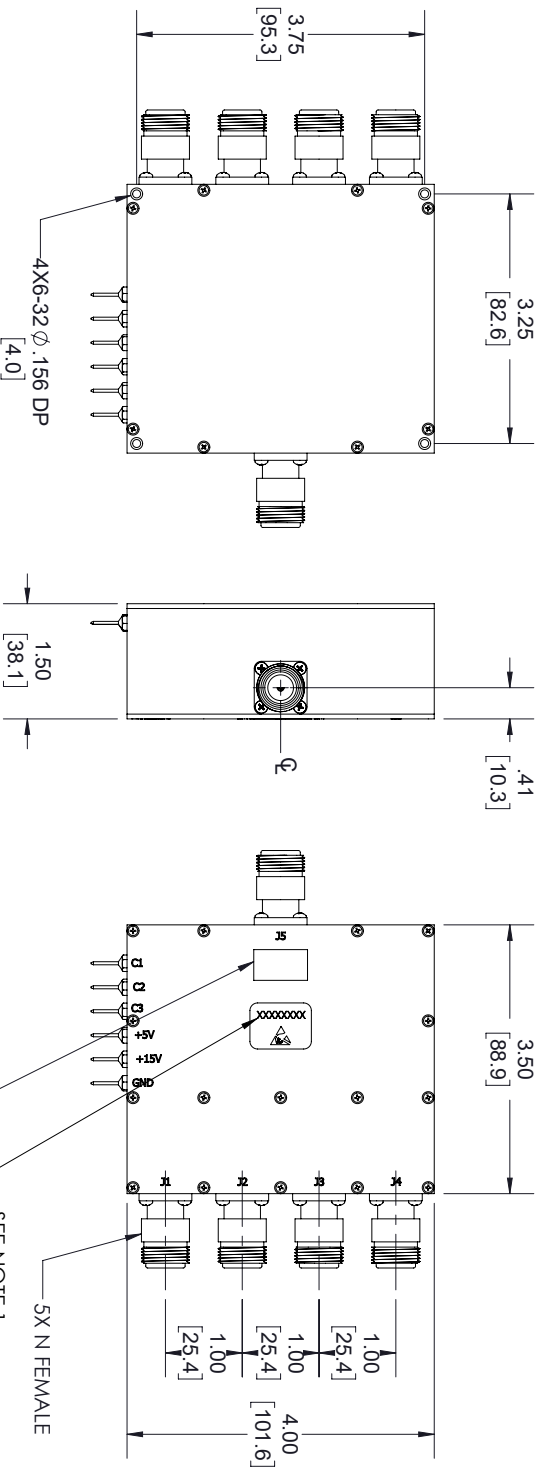


REVISIONS			
REV.	DESCRIPTION	DATE	APPROVED
A	INITIAL RELEASE	14-08-2021	TGALLA



NOTES:

- SERIAL NUMBER AND DATE CODE ARE COMBINED. EX: 202008280001.
- LABEL PER ILS-100-05, FOR INTERNAL REFERENCE ONLY. LABEL LOCATION SHOULD BE SAME AS SHOWN.

THESE COMMODITIES, TECHNOLOGY OR SOFTWARE WERE EXPORTED FROM THE UNITED STATES IN ACCORDANCE WITH THE EXPORT ADMINISTRATION REGULATIONS, DIVERSION CONTRARY TO U.S. LAW PROHIBITED.



TITLE

UNLESS OTHERWISE SPECIFIED LEADING DIMENSIONS ARE INCHES DIMENSIONS IN [] ARE MILLIMETERS		THIRD-ANGLE PROJECTION	
TOLERANCES:		THE INFORMATION AND DESIGN IN THIS DOCUMENT IS THE PROPERTY OF FAIRVIEW MICROWAVE CORPORATION. ALL RIGHTS RESERVED.	
CABLE LENGTH (L) TOLERANCES:		SHEET 1 OF 1	
L ± 1/2 (B06) = +1 [25] / -0		SCALE N/A	
12 [305] < L ≤ 60 [1524] = +2 [51] / -0		REV A	
60 [1524] < L ≤ 120 [3048] = +4 [102] / -0		DRAWN BY MVEERAPPAN	
120 [3048] < L ≤ 300 [7620] = +6 [152] / -0		ITEM NO. FMSW8003	
300 [7620] < L = +5% / -0		SIZE A	
ALL DIMENSIONS SHOWN ARE FOR REFERENCE ONLY.		GAGE CODE 3FKRS	
X = ±.2 [5.08] FRACTIONS ± 1/32		DRAWN BY MVEERAPPAN	
XX = ±.02 [.51] ANGLES ± 1°		ITEM NO. FMSW8003	
XXX = ±.005 [.13]		REV A	