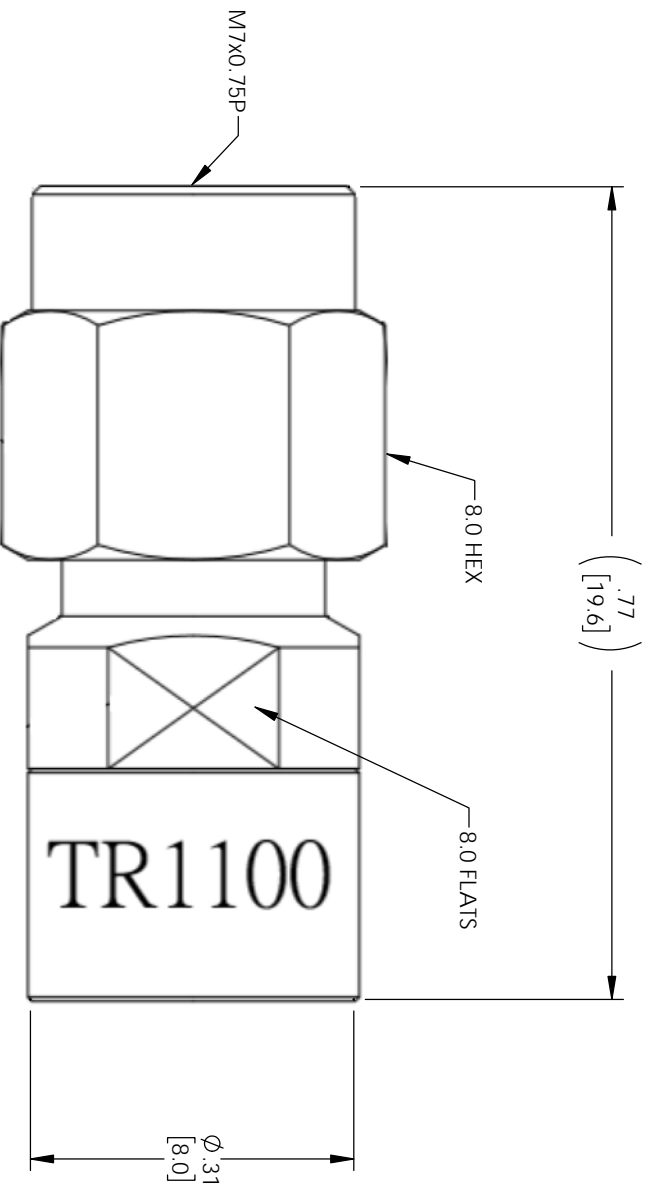


REVISIONS			
REV.	DESCRIPTION	DATE	APPROVED
A	INITIAL RELEASE	12/28/2020	SFONG



THESE COMMODITIES, TECHNOLOGY OR SOFTWARE WERE EXPORTED FROM THE UNITED STATES IN ACCORDANCE WITH THE EXPORT ADMINISTRATION REGULATIONS, DIVERSION CONTRARY TO U.S. LAW PROHIBITED.



TITLE

UNLESS OTHERWISE SPECIFIED LEADING DIMENSIONS ARE INCHES DIMENSIONS IN [] ARE MILLIMETERS		THIRD-ANGLE PROJECTION	
TOLERANCES:		THE INFORMATION AND DESIGN IN THIS DOCUMENT IS THE PROPERTY OF FAIRVIEW MICROWAVE CORPORATION. ALL RIGHTS RESERVED.	
FRACTIONS		SCALE	
.X = ±.2 [5.08]	12 [305] < L ≤ 60 [1524] = +1 [25] / -0	N/A	
.XX = ±.02 [.51]	60 [1524] < L ≤ 120 [3048] = +.4 [102] / -0	SHEET 1 OF 1	
.XXX = ±.005 [.13]	120 [3048] < L ≤ 300 [7620] = +.6 [152] / -0	REV A	
CABLE LENGTH (L) TOLERANCES:		DRAWN BY DFRISIELLO	
L ± 12 [305] = +1 [25] / -0		ITEM NO. FMTR1100	
L ≤ 120 [3048] < L ≤ 300 [7620] = +.6 [152] / -0		GAGE CODE 3FKRS	
300 [7620] < L = +5%L / -0		SIZE A	
ALL DIMENSIONS SHOWN ARE FOR REFERENCE ONLY.			