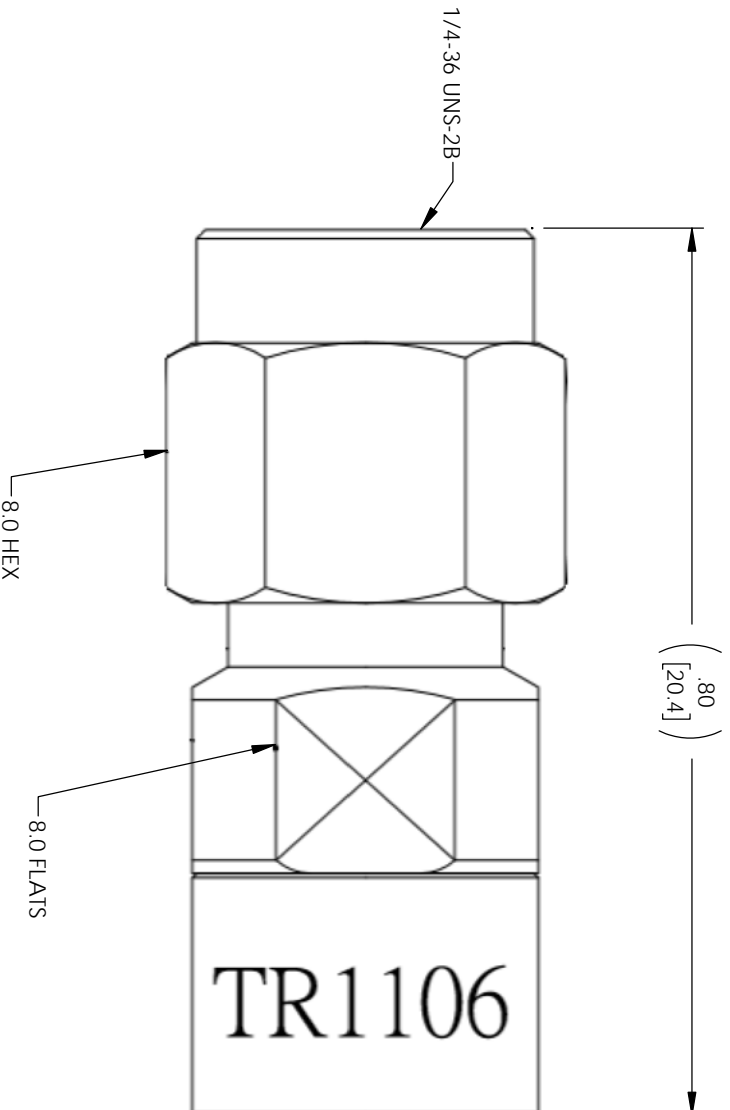


REVISIONS			
REV.	DESCRIPTION	DATE	APPROVED
A	INITIAL RELEASE	01/05/2021	SPONG



THESE COMMODITIES, TECHNOLOGY OR SOFTWARE WERE EXPORTED FROM THE UNITED STATES IN ACCORDANCE WITH THE EXPORT ADMINISTRATION REGULATIONS, DIVERSION CONTRARY TO U.S. LAW PROHIBITED.



TITLE

UNLESS OTHERWISE SPECIFIED LEADING DIMENSIONS ARE INCHES DIMENSIONS IN [] ARE MILLIMETERS		THIRD ANGLE PROJECTION	
TOLERANCES:		THE INFORMATION AND DESIGN IN THIS DOCUMENT IS THE PROPERTY OF FAIRVIEW MICROWAVE CORPORATION. ALL RIGHTS RESERVED.	
FRACTIONS ± 1/32		SCALE	
DECIMALS ± .005 [.13]		1 OF 1	
ANGLES ± 1°		N/A	
CABLE LENGTH (L) TOLERANCES:		REV A	
L ± 12 [305] = +1 [25] / -0		ITEM NO. FMTR1106	
12 [305] < L ≤ 60 [1524] = +2 [51] / -0		DRAWN BY DFRISIELLO	
60 [1524] < L ≤ 120 [3048] = +4 [102] / -0		GAGE CODE 3FKRS	
120 [3048] < L ≤ 300 [7620] = +6 [152] / -0		SIZE A	
300 [7620] < L = +5%L / -0		ALL DIMENSIONS SHOWN ARE FOR REFERENCE ONLY.	