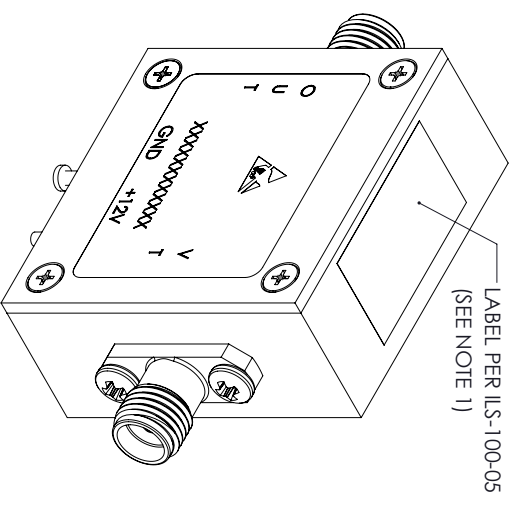
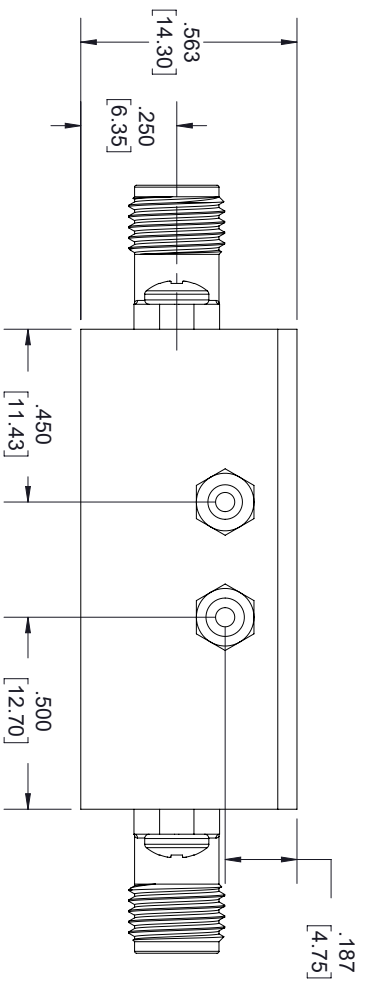
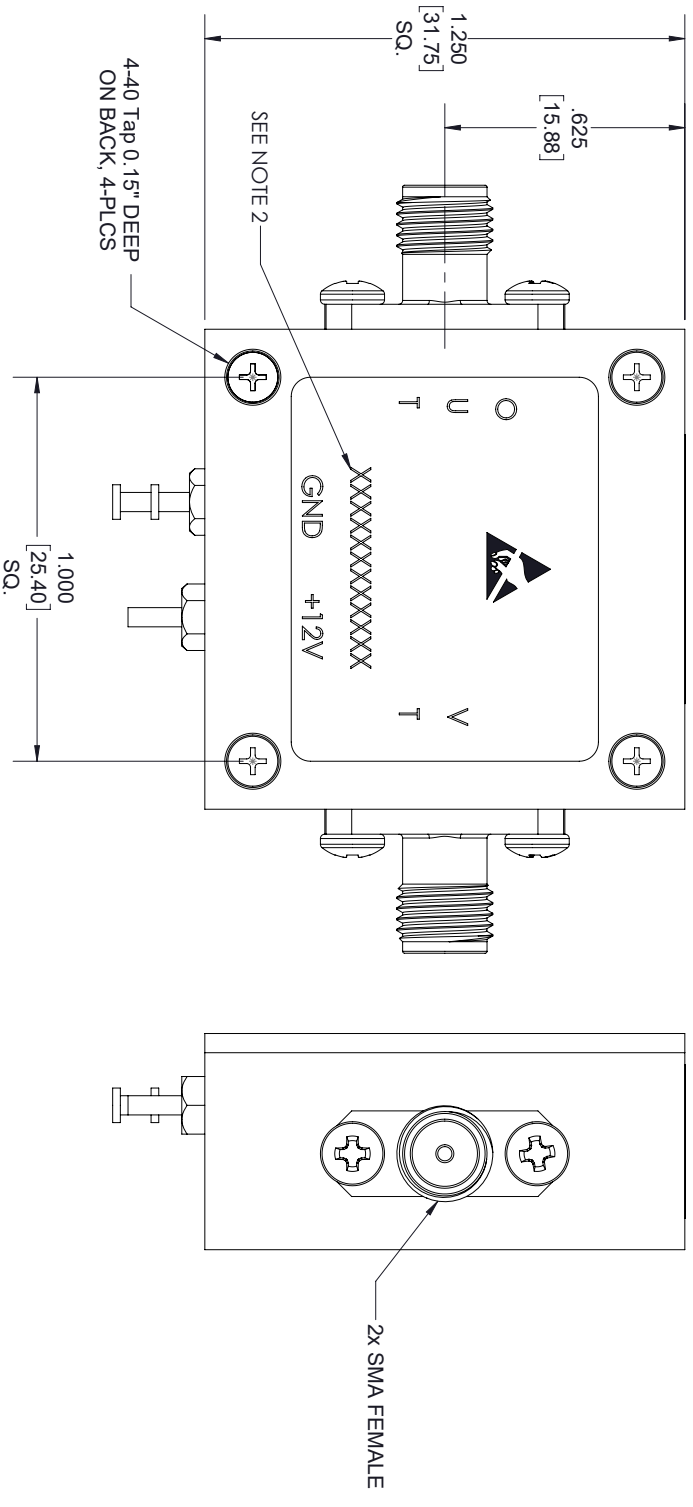


REVISIONS			
REV.	DESCRIPTION	DATE	APPROVED
A	INITIAL RELEASE	03-01-2021	TGALLA



- NOTES:
- LABEL PER ILS-100-05. FOR INTERNAL REFERENCE ONLY. LABEL LOCATION SHOULD BE SAME AS SHOWN.
 - SERIAL NUMBER AND DATE CODE ARE COMBINED. EX: 202008280001.

THESE COMMODITIES, TECHNOLOGY OR SOFTWARE WERE EXPORTED FROM THE UNITED STATES IN ACCORDANCE WITH THE EXPORT ADMINISTRATION REGULATIONS, DIVERSION CONTRARY TO U.S. LAW PROHIBITED.



TITLE		X = ±.2 [5.08] FRACTIONS XX = ±.02 [.51] ±.1/32 XXX = ±.005 [.13] ANGLES ± 1°		UNLESS OTHERWISE SPECIFIED LEADING DIMENSIONS ARE INCHES DIMENSIONS IN [] ARE MILLIMETERS		CABLE LENGTH (L) TOLERANCES: L ≤ 12 [305] = ±.1 [25] / -0 12 [305] < L ≤ 60 [1524] = ±.2 [51] / -0 60 [1524] < L ≤ 120 [3048] = ±.4 [102] / -0 120 [3048] < L ≤ 300 [7620] = ±.6 [152] / -0 300 [7620] < L = +5%L / -0		THIRD-ANGLE PROJECTION	
SIZE	GAGE CODE	DRAWN BY	ITEM NO.	SCALE	TOLERANCES:		THE INFORMATION AND DESIGN IN THIS DOCUMENT IS THE PROPERTY OF FAIRVIEW MICROWAVE CORPORATION. ALL RIGHTS RESERVED.		
A	3FKRS	MVEERAPPAN	FMWC31016	N/A	ALL DIMENSIONS SHOWN ARE FOR REFERENCE ONLY.		SHEET 1 OF 1		
				REV			A		