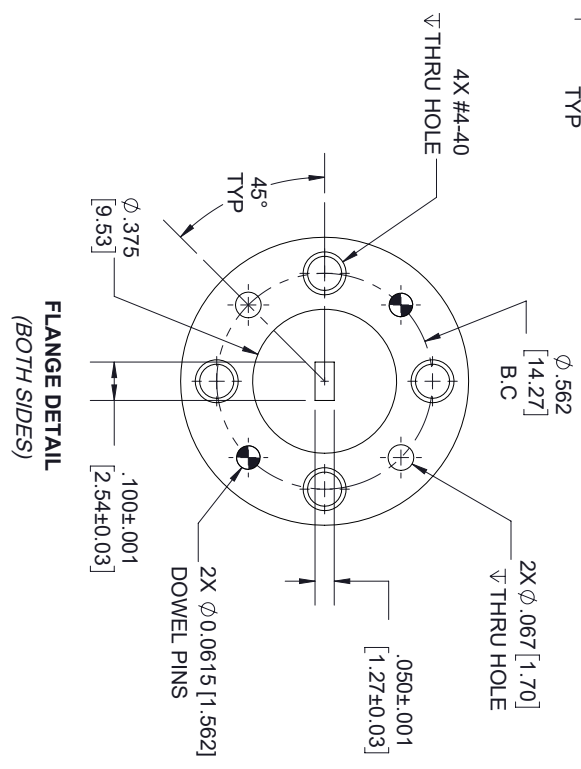


WR-10 WAVEGUIDE
UG-387/U ROUND FLANGE
TYP

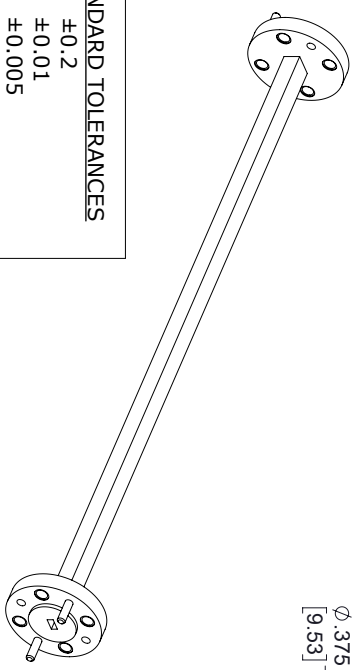


FLANGE DETAIL
(BOTH SIDES)

STANDARD TOLERANCES

.X	±0.2
.XX	±0.01
.XXX	±0.005

*STANDARD TOLERANCES APPLY ONLY TO DIMENSIONS IN INCHES



Fairview Microwave
an INFINITI@ brand

NOTES:
1. UNLESS OTHERWISE SPECIFIED ALL DIMENSIONS ARE NOMINAL.
2. ALL SPECIFICATIONS ARE SUBJECT TO CHANGE WITHOUT NOTICE AT ANY TIME.
3. DIMENSIONS ARE IN INCHES [mm].

TITLE		DWG NO		CAGE CODE	
		FMW10S010-6		3FKR5	
CAD FILE	05/31/19	SHEET	1 OF 1	SCALE	N/A
				SIZE	A
					7361