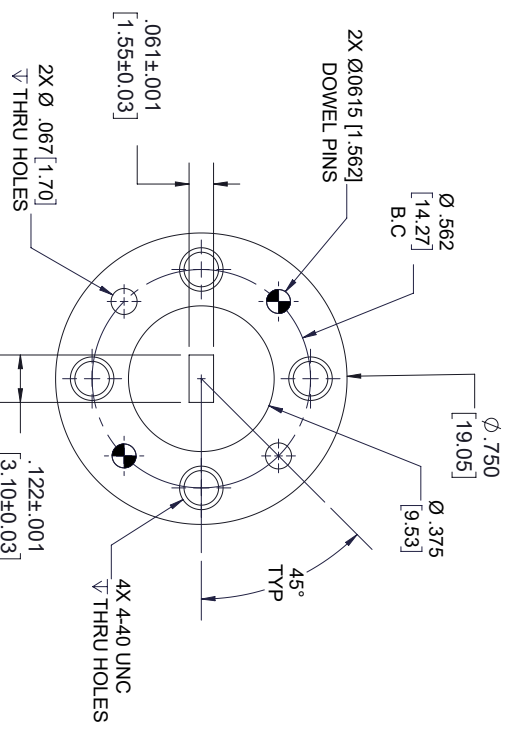
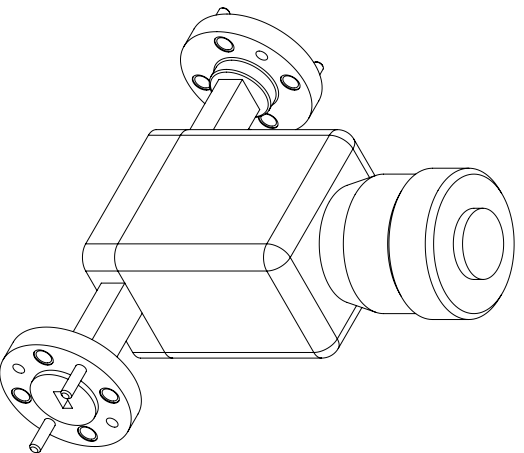
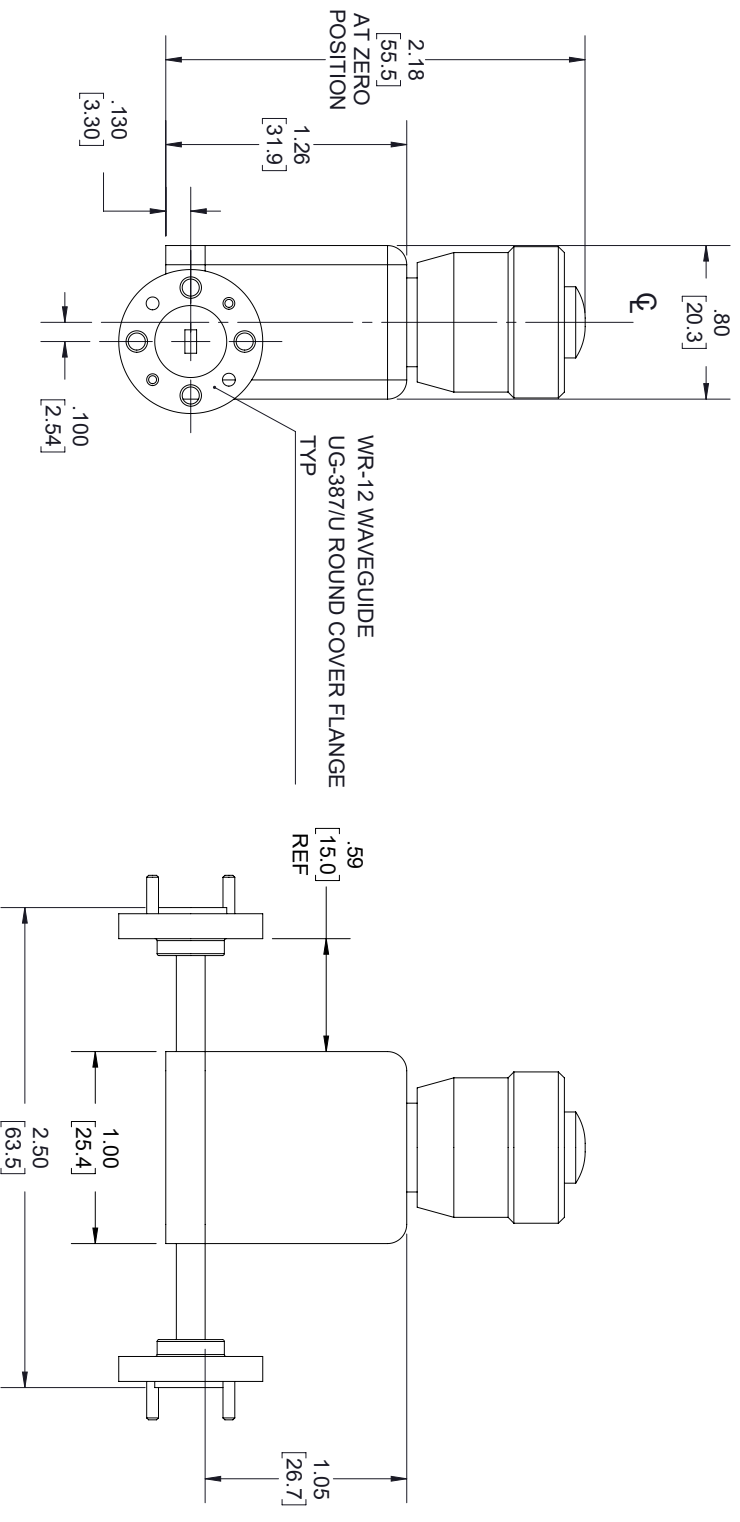


REVISIONS			
REV.	DESCRIPTION	DATE	APPROVED
A	INITIAL RELEASE	8/4/2020	S.FONG



LABEL:

FAIRVIEW MICROWAVE
FMW12AT002-30
D/C: YYYY

THESE COMMODITIES, TECHNOLOGY OR SOFTWARE WERE EXPORTED FROM THE UNITED STATES IN ACCORDANCE WITH THE EXPORT ADMINISTRATION REGULATIONS, DIVERSION CONTRARY TO U.S. LAW PROHIBITED.



TITLE

SIZE	DRAWN BY	ITEM NO.	SCALE	REV
A	K.DANG	FMW12AT002-30	N/A	A

AGE CODE	3FKRS
ALL DIMENSIONS SHOWN ARE FOR REFERENCE ONLY.	

TOLERANCES:	FRACTIONS	ANGLES ± 1°
X = ± 2	[5.08]	
XX = ± 0.02	[.51]	
XXX = ± 0.005	[.13]	

CABLE LENGTH (L) TOLERANCES:	THIRD-ANGLE PROJECTION
L ≤ 12 [305] = +1 [25] / -0	
12 [305] < L ≤ 60 [1524] = +2 [51] / -0	
60 [1524] < L ≤ 120 [3048] = +4 [102] / -0	
120 [3048] < L ≤ 300 [7620] = +6 [152] / -0	
300 [7620] < L = +5%L / -0	

THE INFORMATION AND DESIGN IN THIS DOCUMENT IS THE PROPERTY OF FAIRVIEW MICROWAVE CORPORATION. ALL RIGHTS RESERVED.	SHEET	OF
	1	1