

6

5

4

3

2

1

REVISION					
ZONE	REV	DESCRIPTION	DATE	CHANGED BY	APPROVED
	A	INITIAL RELEASE	4/2/2024	KDANG	SPONG

F

F

E

E

D

D

C

C

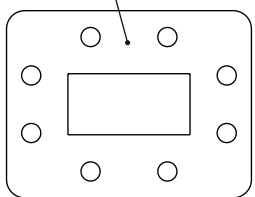
B

B

A

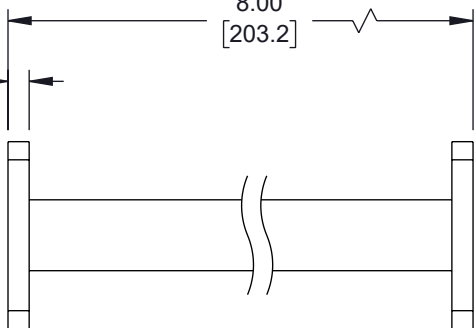
A

WR-159  
FDP58 COVER FLANGE

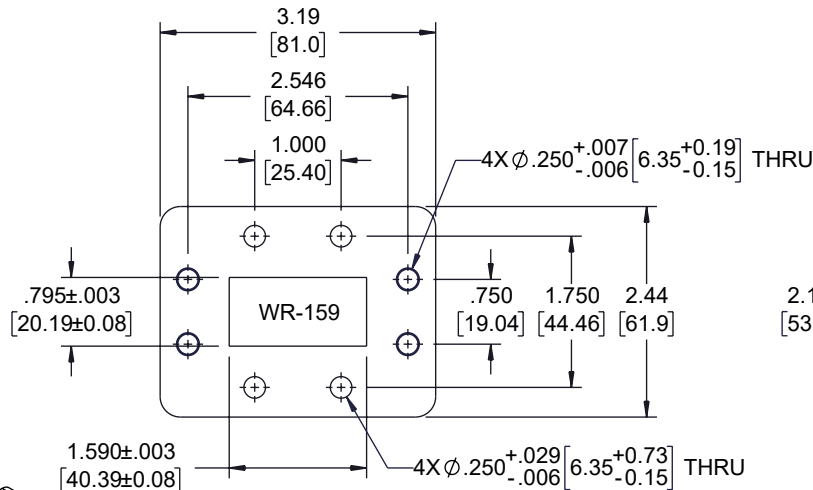
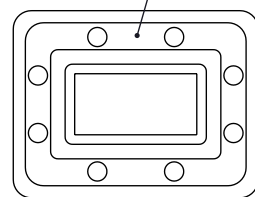


.28  
[7.0]  
TYP

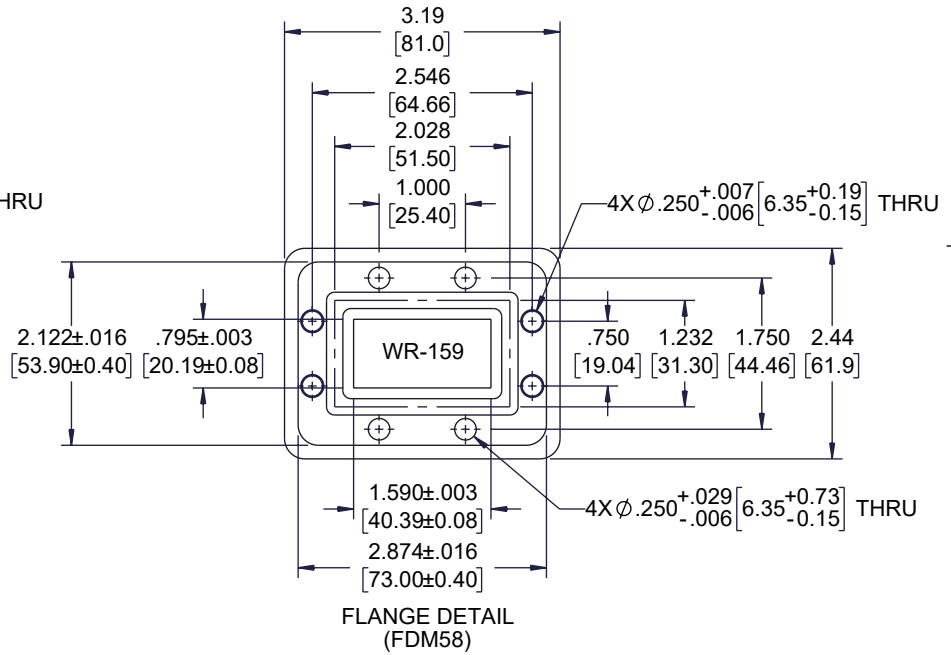
8.00  
[203.2]



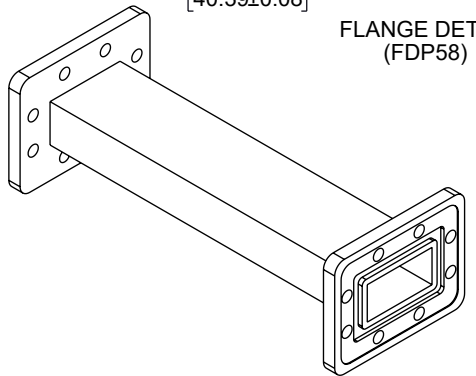
WR-159  
FDM58 GROOVED FLANGE



FLANGE DETAIL  
(FDP58)



FLANGE DETAIL  
(FDM58)



UNLESS OTHERWISE SPECIFIED  
LEADING DIMENSIONS ARE INCHES  
DIMENSIONS IN [ ] ARE MILLIMETERS

TOLERANCES:  
X = ± 2 [5] | FRACTIONS ± 1/32  
XX = ± 0.02 [0.5] | ± 1/64  
.XXX = ± 0.005 [0.13] | ANGLES ± 1°

CABLE LENGTH TOLERANCES:  
≤ 12 [305] = +1 [25] / -0  
> 12 [305] ≤ 60 [1524] = +2 [51] / -0  
> 60 [1524] ≤ 120 [3048] = +4 [102] / -0  
> 120 [3048] ≤ 300 [7620] = +6 [152] / -0  
> 300 [7620] = +5% / -0

ALL DIMENSIONS ARE FOR REFERENCE ONLY  
AND SUBJECT TO CHANGE WITHOUT NOTICE  
UN-DIMENSIONED/NON-CRITICAL FEATURES  
MAY VARY IN SIZE AND LOCATION  
COLORS MAY VARY



Website: [www.FairviewMicrowave.com](http://www.FairviewMicrowave.com)  
Phone: 1.800.715.4396 | 1.972.649.6678

INTERPRET ALL DIMENSIONS AND TOLERANCES PER ASME Y14.5	
SCALE NONE	SHEET 1 OF 1

DESCRIPTION  
WR-159 STRAIGHT WAVEGUIDE SECTION 8 INCH LENGTH, UG COVER AND GROOVED FLANGES FROM 4.64 GHz TO 7.05 GHz

SIZE	CAGE CODE	DRAWN BY	ITEM NO.	REV
A	3FKR5	KDANG	FMW159S001-8	A

THE INFORMATION CONTAINED IN THIS DRAWING IS THE SOLE PROPERTY OF INFINITE ELECTRONICS, INC. ANY REPRODUCTION IN PART OR WHOLE WITHOUT THE WRITTEN PERMISSION OF INFINITE ELECTRONICS, INC. IS PROHIBITED. THESE COMMODITIES, TECHNOLOGY OR SOFTWARE WERE EXPORTED FROM THE UNITED STATES IN ACCORDANCE WITH THE EXPORT ADMINISTRATION REGULATIONS. DIVERSION CONTRARY TO U.S. LAW PROHIBITED.

6

5

4

3

2

1