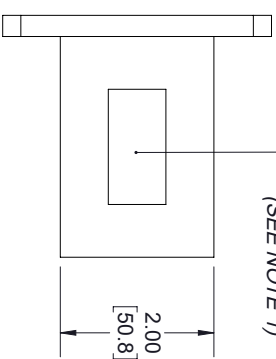
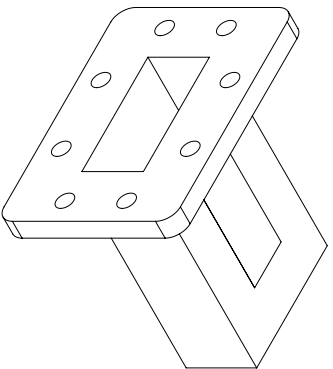


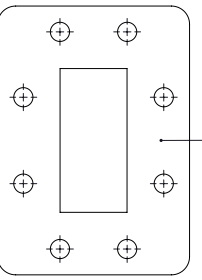
REVISIONS			
REV.	DESCRIPTION	DATE	APPROVED
A	INITIAL RELEASE	3/24/2021	S.PONG



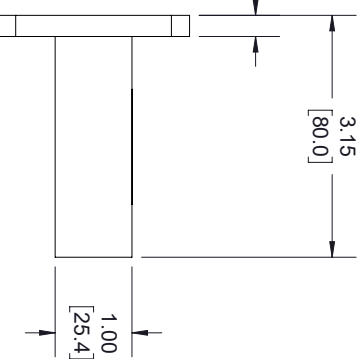
LABEL PER ILS-100-09
(SEE NOTE 1)

2.00
[50.8]

WR-187
CPR187F FLANGE

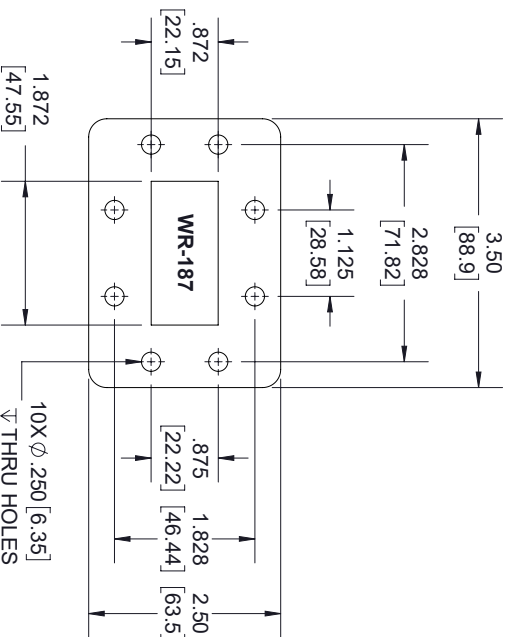


.28
[7.0]



3.15
[80.0]

1.00
[25.4]



NOTES:

- LABEL PER ILS-100-09. FOR INTERNAL USE ONLY.
LABEL LOCATION FOR REFERENCE ONLY.

THESE COMMODITIES, TECHNOLOGY OR SOFTWARE WERE EXPORTED FROM THE UNITED STATES IN ACCORDANCE WITH THE EXPORT ADMINISTRATION REGULATIONS, DIVERSION CONTRARY TO U.S. LAW PROHIBITED.



TITLE

UNLESS OTHERWISE SPECIFIED LEADING DIMENSIONS ARE INCHES
DIMENSIONS IN [] ARE MILLIMETERS

TOLERANCES:

CABLE LENGTH (L) TOLERANCES:

X = ±.2	[5.08]	FRACTIONS	L ≤ 12 [305] = ±1 [25] / -0
XX = ±.02	[.51]	± 1/32	12 [305] < L ≤ 60 [1524] = ±2 [51] / -0
XXX = ±.005	[.13]	ANGLES ± 1°	60 [1524] < L ≤ 120 [3048] = ±4 [102] / -0
			120 [3048] < L ≤ 300 [7620] = ±6 [152] / -0
			300 [7620] < L = +5%L / -0

THIRD-ANGLE PROJECTION

THE INFORMATION AND DESIGN IN THIS DOCUMENT IS THE PROPERTY OF FAIRVIEW MICROWAVE CORPORATION. ALL RIGHTS RESERVED.

SHEET 1 OF 1

SIZE	DRAWN BY	ITEM NO.	REV
A	K.DANG	FMW187TR1001	A
GAGE CODE	SCALE		
3FKRS	N/A		