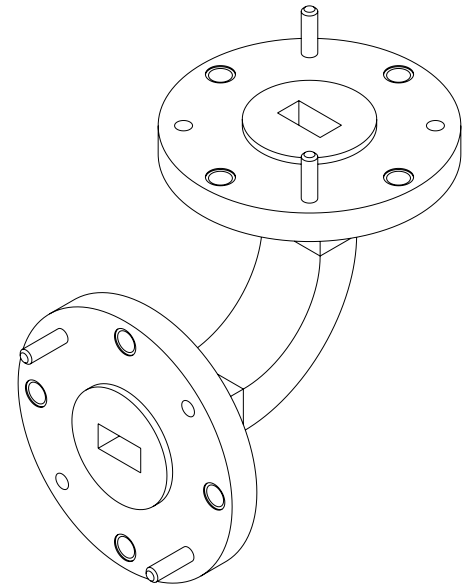


**FLANGE DETAIL**



**STANDARD TOLERANCES**

- .X ±0.2
- .XX ±0.01
- .XXX ±0.005

\*STANDARD TOLERANCES APPLY ONLY TO DIMENSIONS IN INCHES



**NOTES:**

1. UNLESS OTHERWISE SPECIFIED ALL DIMENSIONS ARE NOMINAL.
2. ALL SPECIFICATIONS ARE SUBJECT TO CHANGE WITHOUT NOTICE AT ANY TIME.
3. DIMENSIONS ARE IN INCHES [mm].

|                      |                            |                           |
|----------------------|----------------------------|---------------------------|
| TITLE                | DWG NO<br><b>FMW22B101</b> | CAGE CODE<br><b>3FKR5</b> |
| CAD FILE<br>7/5/2023 | SHEET<br>1 OF 1            | SCALE<br>N/A              |
|                      | SIZE<br>A                  | 7361                      |