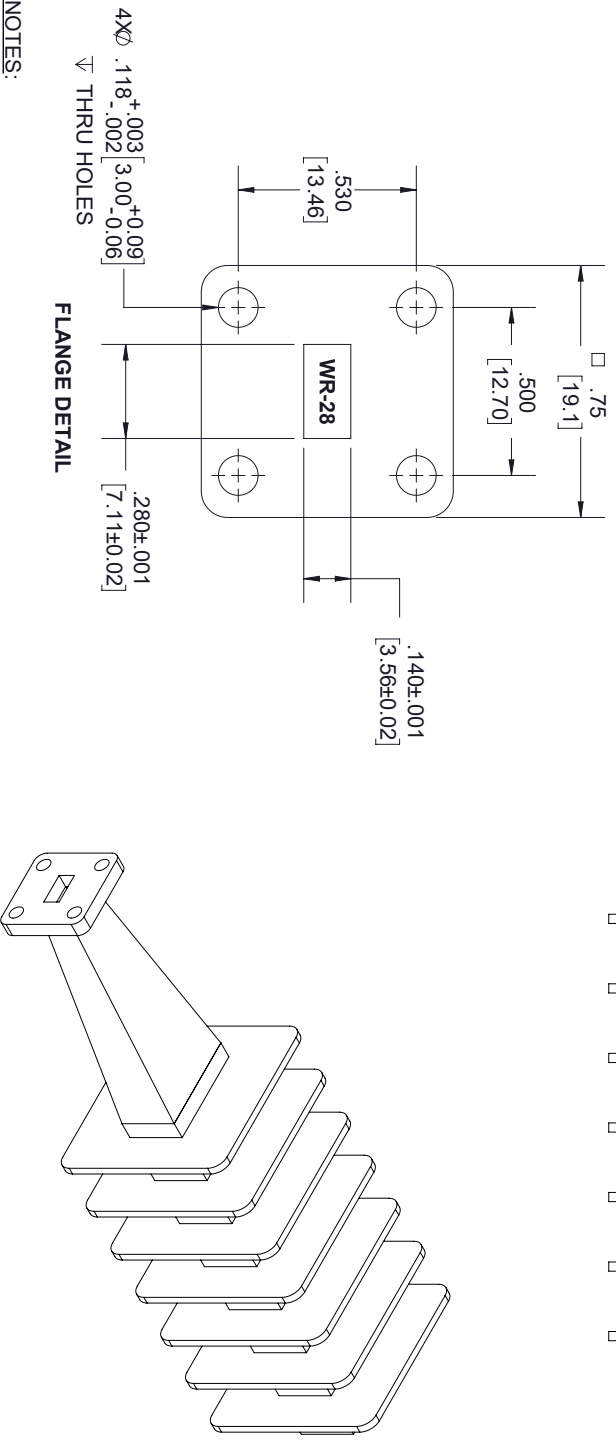
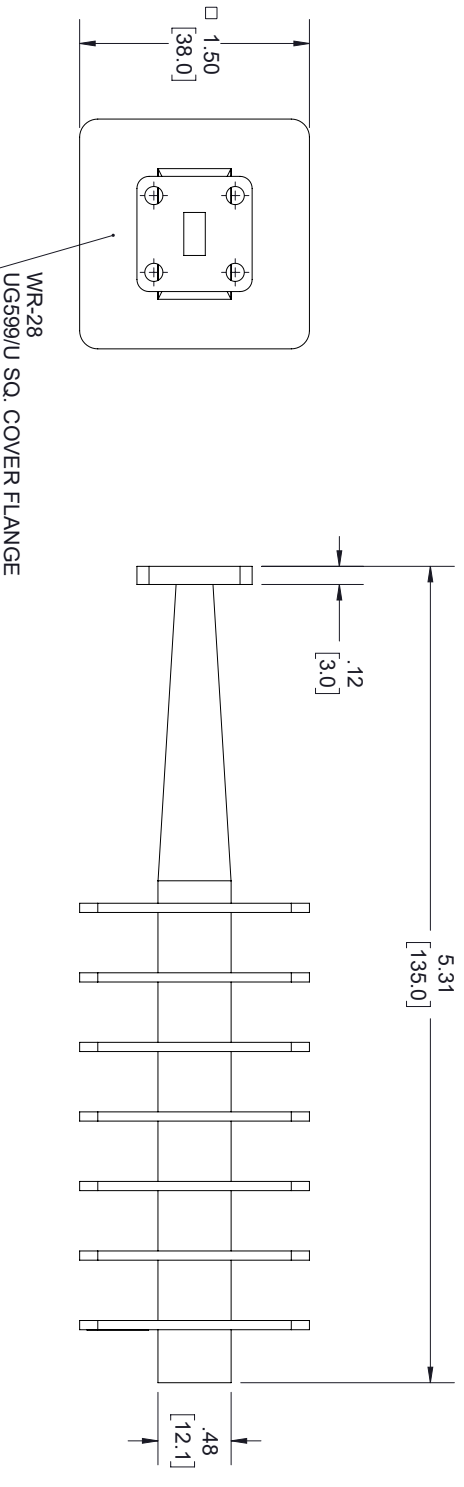


| REVISIONS |                 |           |          |
|-----------|-----------------|-----------|----------|
| REV.      | DESCRIPTION     | DATE      | APPROVED |
| A         | INITIAL RELEASE | 3/31/2021 | S.PONG   |



**NOTES:**

- LABEL PER ILS-100-09, FOR INTERNAL USE ONLY.  
LABEL LOCATION FOR REFERENCE ONLY.

THESE COMMODITIES, TECHNOLOGY OR SOFTWARE WERE EXPORTED FROM THE UNITED STATES IN ACCORDANCE WITH THE EXPORT ADMINISTRATION REGULATIONS, DIVERSION CONTRARY TO U.S. LAW PROHIBITED.



TITLE

|   |           |                              |             |   |                 |
|---|-----------|------------------------------|-------------|---|-----------------|
| UNLESS OTHERWISE SPECIFIED LEADING DIMENSIONS ARE INCHES<br>DIMENSIONS IN [ ] ARE MILLIMETERS |           |                              |             | THIRD-ANGLE PROJECTION  |                 |
| TOLERANCES:   |           |                              |             | THE INFORMATION AND DESIGN IN THIS DOCUMENT IS THE PROPERTY OF FAIRVIEW MICROWAVE CORPORATION. ALL RIGHTS RESERVED. |                 |
| CABLE LENGTH (L) TOLERANCES:  |           | CABLE LENGTH (L) TOLERANCES: |             | SCALE   |                 |
| X = ±.2   | [5.08]    | FRACTIONS                    | ± 1/32      | L ≤ 12 [305]  | ± .125 / -0     |
| XX = ±.02   | [.51]     | ± 1/32                       | ± 1/32      | 12 [305] < L ≤ 60 [1524]  | ± .2 [51] / -0  |
| XXX = ±.005   | [.13]     | ANGLES ± 1°                  | ± 1°        | 60 [1524] < L ≤ 120 [3048]  | ± .4 [102] / -0 |
|   |           |                              |             | 120 [3048] < L ≤ 300 [7620]   | ± .6 [152] / -0 |
|   |           |                              |             | 300 [7620] < L  | ± .5% / -0      |
| SIZE  | GAGE CODE | DRAWN BY                     | ITEM NO.    | SCALE   | REV             |
| A   | 3FKRS     | K.DANG                       | FMW28TR1005 | N/A   | A               |