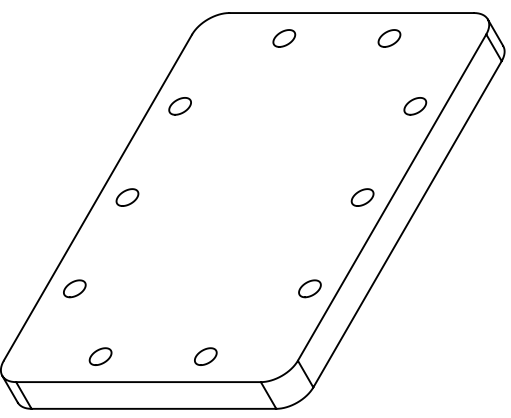
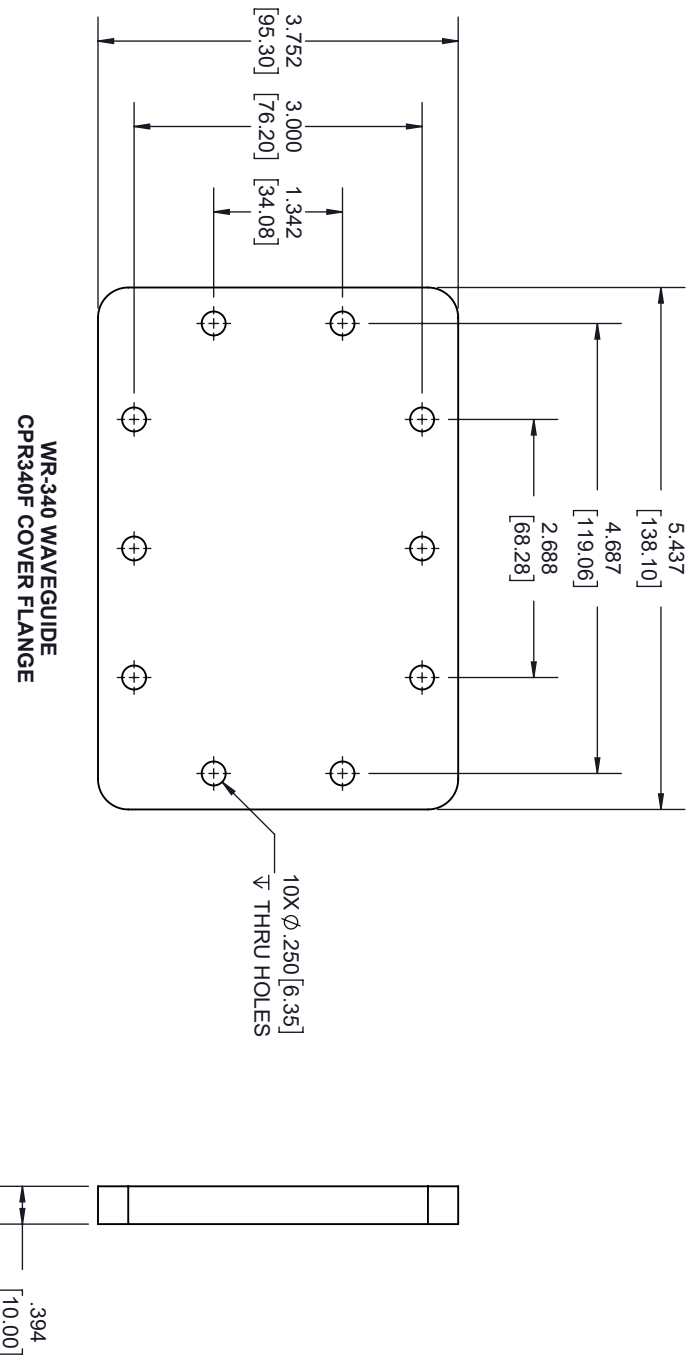


| REVISIONS | | | |
|-----------|-----------------|----------|----------|
| REV. | DESCRIPTION | DATE | APPROVED |
| A | INITIAL RELEASE | 2/4/2020 | S.PONG |



THESE COMMODITIES, TECHNOLOGY OR SOFTWARE WERE EXPORTED FROM THE UNITED STATES IN ACCORDANCE WITH THE EXPORT ADMINISTRATION REGULATIONS, DIVERSION CONTRARY TO U.S. LAW PROHIBITED.



TITLE

| | | | | | |
|---|-----------|------------------------------|-----------------|---|-----|
| UNLESS OTHERWISE SPECIFIED LEADING DIMENSIONS ARE INCHES DIMENSIONS IN [] ARE MILLIMETERS | | | | THIRD-ANGLE PROJECTION | |
| TOLERANCES: | | | | | |
| FRACTIONS | | CABLE LENGTH (L) TOLERANCES: | | THE INFORMATION AND DESIGN IN THIS DOCUMENT IS THE PROPERTY OF FAIRVIEW MICROWAVE CORPORATION. ALL RIGHTS RESERVED. | |
| X = ±.2 | [.008] | L ≤ 12 [305] | = +1 [25] / -0 | SHEET | 1 |
| XX = ±.02 | [.51] | 12 [305] < L ≤ 60 [1524] | = +2 [51] / -0 | OF | 1 |
| XXX = ±.005 | [.13] | 60 [1524] < L ≤ 120 [3048] | = +4 [102] / -0 | | |
| ANGLES ± 1° | | 120 [3048] < L ≤ 300 [7620] | = +6 [152] / -0 | | |
| | | 300 [7620] < L | = +5%L / -0 | | |
| ALL DIMENSIONS SHOWN ARE FOR REFERENCE ONLY. | | | | | |
| SIZE | GAGE CODE | DRAWN BY | ITEM NO. | SCALE | REV |
| A | 3FKRS | K.DANG | FMW340SP10 | N/A | A |