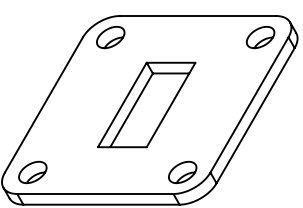
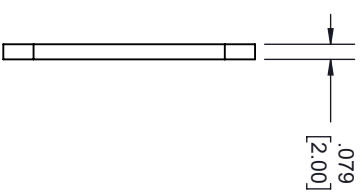
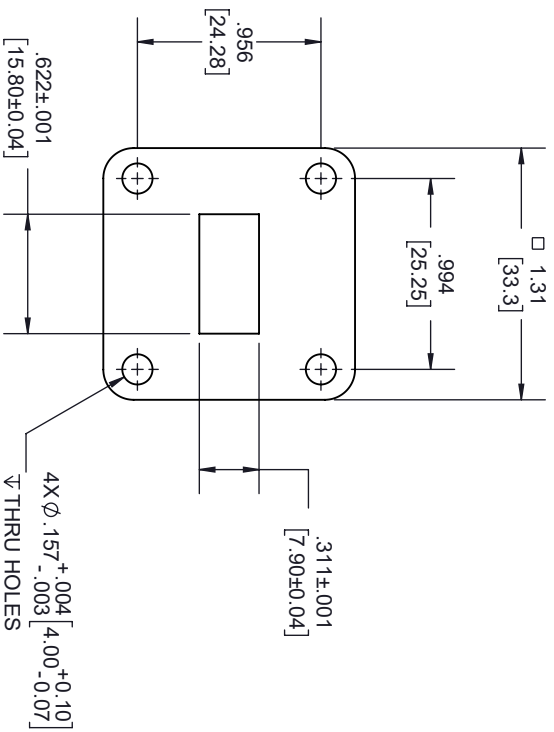


REVISIONS			
REV.	DESCRIPTION	DATE	APPROVED
A	INITIAL RELEASE	4/11/2022	S. PONG



THESE COMMODITIES, TECHNOLOGY OR SOFTWARE WERE EXPORTED FROM THE UNITED STATES IN ACCORDANCE WITH THE EXPORT ADMINISTRATION REGULATIONS, DIVERSION CONTRARY TO U.S. LAW PROHIBITED.



TITLE

UNLESS OTHERWISE SPECIFIED LEADING DIMENSIONS ARE INCHES DIMENSIONS IN [] ARE MILLIMETERS				THIRD-ANGLE PROJECTION			
TOLERANCES:				THE INFORMATION AND DESIGN IN THIS DOCUMENT IS THE PROPERTY OF FAIRVIEW MICROWAVE CORPORATION. ALL RIGHTS RESERVED.			
FRACTIONS		CABLE LENGTH (L) TOLERANCES:		L ± 1/2 (806) = +1 (25) / -0		SHEET 1 OF 1	
X = ±.2 [5.08]		L ≤ 120 (3048) = ±.005 [0.127]		12 (305) < L ≤ 60 (1524) = ±.002 [0.051]		SCALE N/A	
XX = ±.02 [51]		60 (1524) < L ≤ 120 (3048) = ±.002 [0.051]		60 (1524) < L ≤ 120 (3048) = ±.002 [0.051]		REV A	
XXX = ±.005 [13]		120 (3048) < L ≤ 300 (7620) = ±.002 [0.051]		120 (3048) < L ≤ 300 (7620) = ±.002 [0.051]		SIZE A	
ALL DIMENSIONS SHOWN ARE FOR REFERENCE ONLY.				DRAWN BY K.DANG			
GAGE CODE 3FKRS				ITEM NO. FMW62F52			
SIZE A				REV A			