

6

5

4

3

2

1

REVISION

ZONE	REV	DESCRIPTION	DATE	CHANGED BY	APPROVED
	A	INITIAL RELEASE	06/20/2023	LNAGARAJ	SPONG

F

F

E

E

D

D

C

C

B

B

A

A

4X $\varnothing .157^{+.004}_{+.003}$ [4.000^{+0.100}_{+0.070}]
TYP.

4X R.118 [3.00]
TYP.

.622±.001
[15.799±0.031]
TYP.

.994 [25.25]
TYP. □ 1.31 [33.3]
TYP.

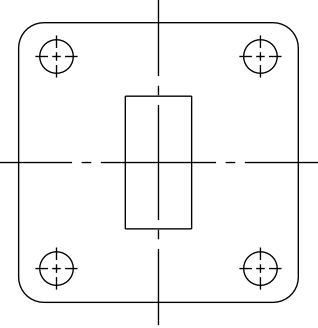
.311±.001
[7.899±0.031]
TYP.

.956 [24.28]
TYP.

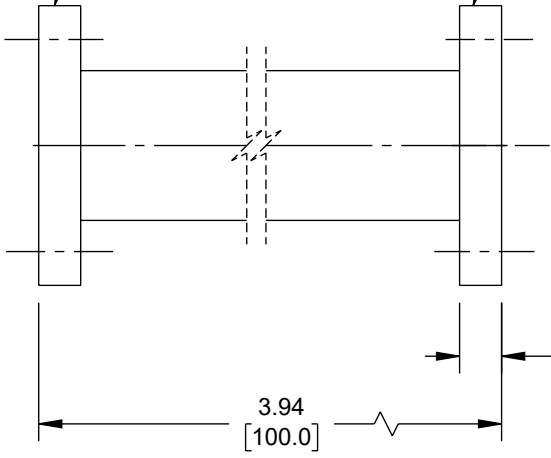
WR-62 WAVEGUIDE
UG GROOVED FLANGE
FBM140

FBP140

FBM140

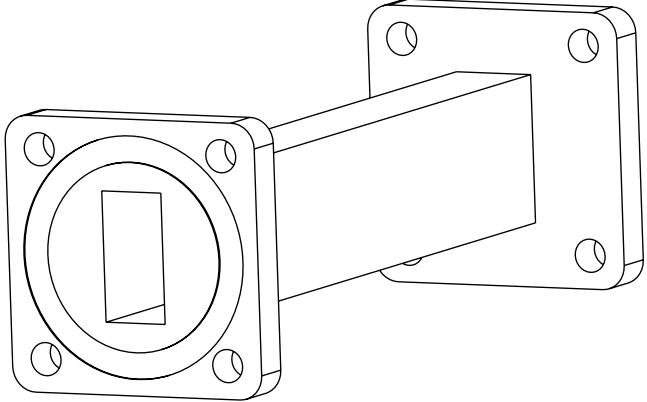


WR-62 WAVEGUIDE
UG COVER FLANGE
FBP140



3.94 [100.0]

.197 [5.0]
THK.
TYP.



UNLESS OTHERWISE SPECIFIED
LEADING DIMENSIONS ARE INCHES
DIMENSIONS IN [] ARE MILLIMETERS

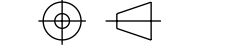
TOLERANCES:
.X = ±.2 [5] FRACTIONS ± 1/32
.XX = ±.02 [.5] ANGLES ± 1°
.XXX = ±.005 [.13]

CABLE LENGTH TOLERANCES:
≤12 [305] = +1 [25] / -0
>12 [305] ≤ 60 [1524] = +2 [51] / -0
>60 [1524] ≤ 120 [3048] = +4 [102] / -0
>120 [3048] ≤ 300 [7620] = +6 [152] / -0
>300 [7620] = +5% / -0

ALL DIMENSIONS ARE FOR REFERENCE ONLY
AND SUBJECT TO CHANGE WITHOUT NOTICE.



Website: www.FairviewMicrowave.com
Phone: 1.800.715.4396 | 1.972.649.6678



SCALE NONE SHEET 1 OF 1

DESCRIPTION
WR-62 4" WAVEGUIDE STRAIGHT SECTION WITH SQUARE COVER FLANGE

SIZE A	CAGE CODE 3FKR5	DRAWN BY LNAGARAJ	ITEM NO. FMW62S001-4	REV A
--------	-----------------	-------------------	----------------------	-------

THE INFORMATION CONTAINED IN THIS DRAWING IS THE SOLE PROPERTY OF INFINITE ELECTRONICS, INC. ANY REPRODUCTION IN PART OR WHOLE WITHOUT THE WRITTEN PERMISSION OF INFINITE ELECTRONICS, INC. IS PROHIBITED. THESE COMMODITIES, TECHNOLOGY OR SOFTWARE WERE EXPORTED FROM THE UNITED STATES IN ACCORDANCE WITH THE EXPORT ADMINISTRATION REGULATIONS. DIVERSION CONTRARY TO U.S. LAW PROHIBITED.

6

5

4

3

2

1