

6

5

4

3

2

1

REVISION

ZONE	REV	DESCRIPTION	DATE	CHANGED BY	APPROVED
	A	INITIAL RELEASE	06/20/2023	LNAGARAJ	SPONG

4X  $\varnothing .164^{+.004}_{+.003}$  [4.170<sup>+0.100</sup><sub>+0.070</sub>]  
TYP.

4X R.118 [3.00]  
TYP.

.400±.002  
[10.160±0.046]  
TYP.

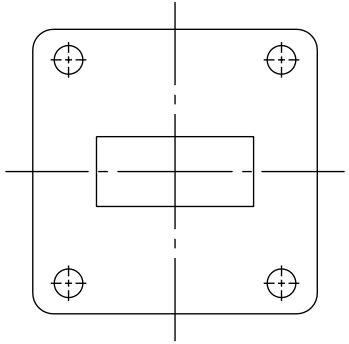
1.280 [32.51]  
TYP. □ 1.63 [41.4]  
TYP.

.900±.002  
[22.860±0.046]  
TYP.

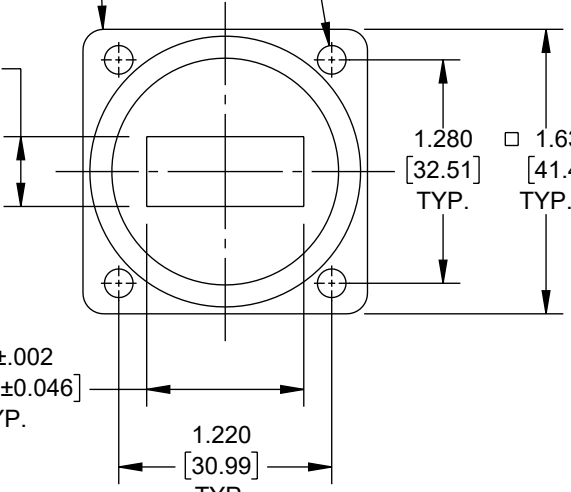
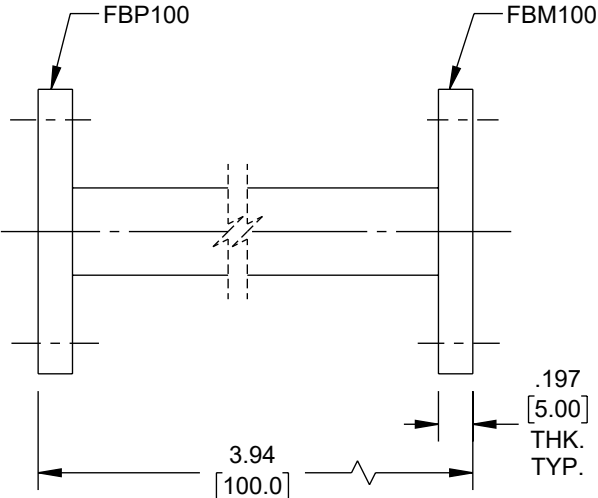
1.220 [30.99]  
TYP.

.197 [5.00]  
THK.  
TYP.

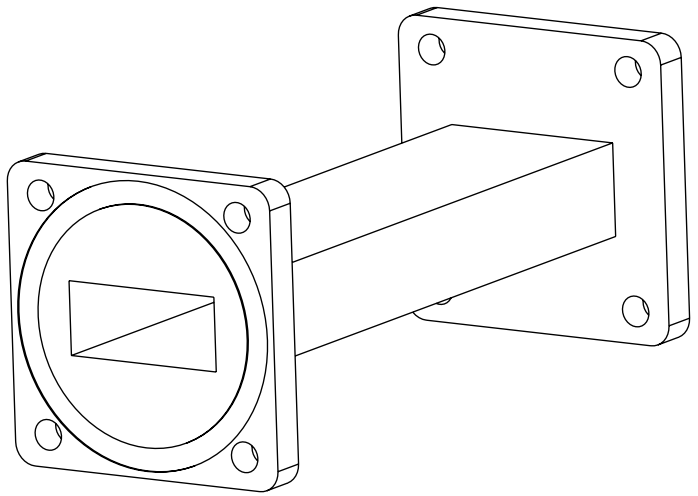
3.94 [100.0]



WR-90 WAVEGUIDE  
UG COVER FLANGE  
FBP100



WR-90 WAVEGUIDE  
UG GROOVED FLANGE  
FBM100



UNLESS OTHERWISE SPECIFIED  
LEADING DIMENSIONS ARE INCHES  
DIMENSIONS IN [ ] ARE MILLIMETERS

TOLERANCES:  
.X = ±.2 [5] | FRACTIONS ± 1/32  
.XX = ±.02 [.5] | ANGLES ± 1°  
.XXX = ±.005 [.13]

CABLE LENGTH TOLERANCES:  
≤12 [305] = +1 [25] / -0  
>12 [305] ≤ 60 [1524] = +2 [51] / -0  
>60 [1524] ≤ 120 [3048] = +4 [102] / -0  
>120 [3048] ≤ 300 [7620] = +6 [152] / -0  
>300 [7620] = +5% / -0

ALL DIMENSIONS ARE FOR REFERENCE ONLY  
AND SUBJECT TO CHANGE WITHOUT NOTICE.



Website: [www.FairviewMicrowave.com](http://www.FairviewMicrowave.com)  
Phone: 1.800.715.4396 | 1.972.649.6678

SCALE	SHEET
NONE	1 OF 1

DESCRIPTION  
**WR-90 4" WAVEGUIDE STRAIGHT SECTION WITH SQUARE COVER FLANGE**

SIZE	CAGE CODE	DRAWN BY	ITEM NO.	REV
A	3FKR5	LNAGARAJ	FMW90S001-4	A

THE INFORMATION CONTAINED IN THIS DRAWING IS THE SOLE PROPERTY OF INFINITE ELECTRONICS, INC. ANY REPRODUCTION IN PART OR WHOLE WITHOUT THE WRITTEN PERMISSION OF INFINITE ELECTRONICS, INC. IS PROHIBITED. THESE COMMODITIES, TECHNOLOGY OR SOFTWARE WERE EXPORTED FROM THE UNITED STATES IN ACCORDANCE WITH THE EXPORT ADMINISTRATION REGULATIONS. DIVERSION CONTRARY TO U.S. LAW PROHIBITED.

6

5

4

3

2

1