

6

5

4

3

2

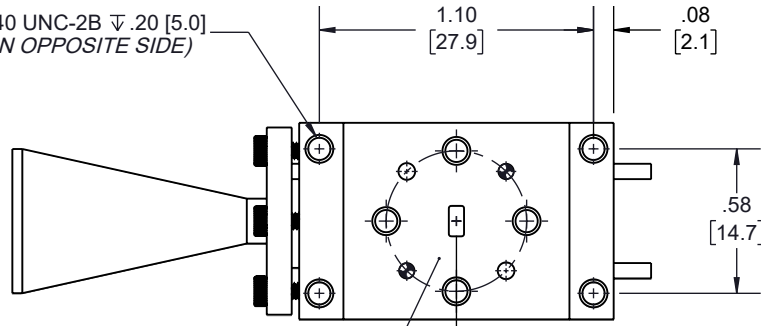
1

REVISION					
ZONE	REV.	DESCRIPTION	DATE	CHANGED BY	APPROVED
	A	INITIAL RELEASE	12/28/2022	KDANG	KHIETPAS

8X 4-40 UNC-2B ∇ .20 [5.0]
(4X ON OPPOSITE SIDE)

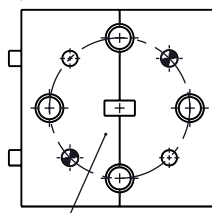
1.10 [27.9] .08 [2.1]

.79 [20.0]



WR-10 WAVEGUIDE
UG-387/U-M FLANGE
(V-PORT)

.63 [16.0]



WR-10 WAVEGUIDE
UG-387/U-M FLANGE
(H-PORT)

F

E

D

C

B

A

F

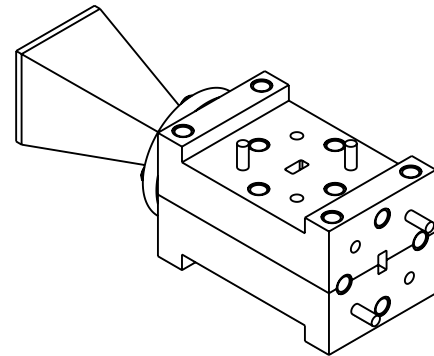
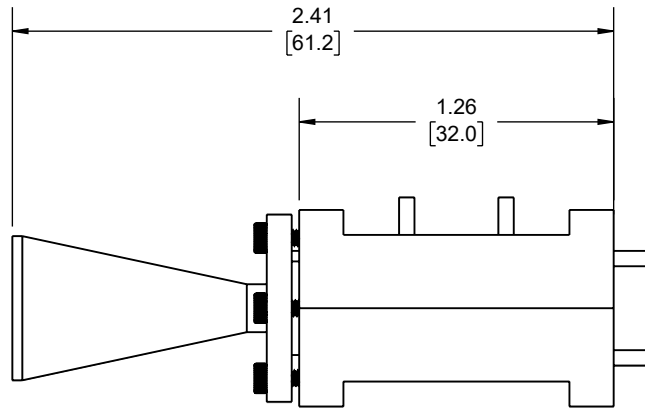
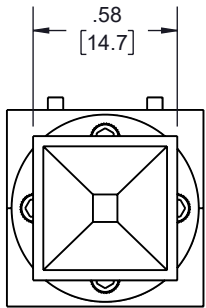
E

D

C

B

A



NOTES:

- LABEL PER ILS-100-03. FOR INTERNAL USE ONLY. LABEL LOCATION FOR REFERENCE ONLY.

UNLESS OTHERWISE SPECIFIED
LEADING DIMENSIONS ARE INCHES
DIMENSIONS IN [] ARE MILLIMETERS

TOLERANCES:

.X = \pm .2 [5] FRACTIONS
.XX = \pm .02 [.5] \pm 1/32
.XXX = \pm .005 [.13] ANGLES \pm 1°

CABLE LENGTH TOLERANCES:

>12 [305] = +1 [25] / -0
>12 [305] \leq 60 [1524] = +2 [51] / -0
>60 [1524] \leq 120 [3048] = +4 [102] / -0
>120 [3048] \leq 300 [7620] = +6 [152] / -0
>300 [7620] = +5% / -0

ALL DIMENSIONS ARE FOR REFERENCE ONLY
AND SUBJECT TO CHANGE WITHOUT NOTICE.



Website: www.FairviewMicrowave.com
Phone: 1.800.715.4396 | 1.972.649.6678



INTERPRET ALL DIMENSIONS AND
TOLERANCES PER ASME Y14.5

SCALE: NONE SHEET: 1 OF 1

DESCRIPTION
WR-10 Waveguide Dual Polarized Horn Antenna, 75 GHz to 110 GHz
Frequency Range, 20 dBi Gain, UG-387/U-Mod Flange

SIZE A	CAGE CODE 3FKR5	DRAWN BY KDANG	ITEM NO. FMWAN010-20OMT	REV A
-----------	--------------------	-------------------	----------------------------	----------

THE INFORMATION CONTAINED IN THIS DRAWING IS THE SOLE PROPERTY OF INFINITE ELECTRONICS, INC. ANY REPRODUCTION IN PART OR WHOLE WITHOUT THE WRITTEN PERMISSION OF INFINITE ELECTRONICS, INC. IS PROHIBITED. THESE COMMODITIES, TECHNOLOGY OR SOFTWARE WERE EXPORTED FROM THE UNITED STATES IN ACCORDANCE WITH THE EXPORT ADMINISTRATION REGULATIONS. DIVERSION CONTRARY TO U.S. LAW PROHIBITED.

6

5

4

3

2

1