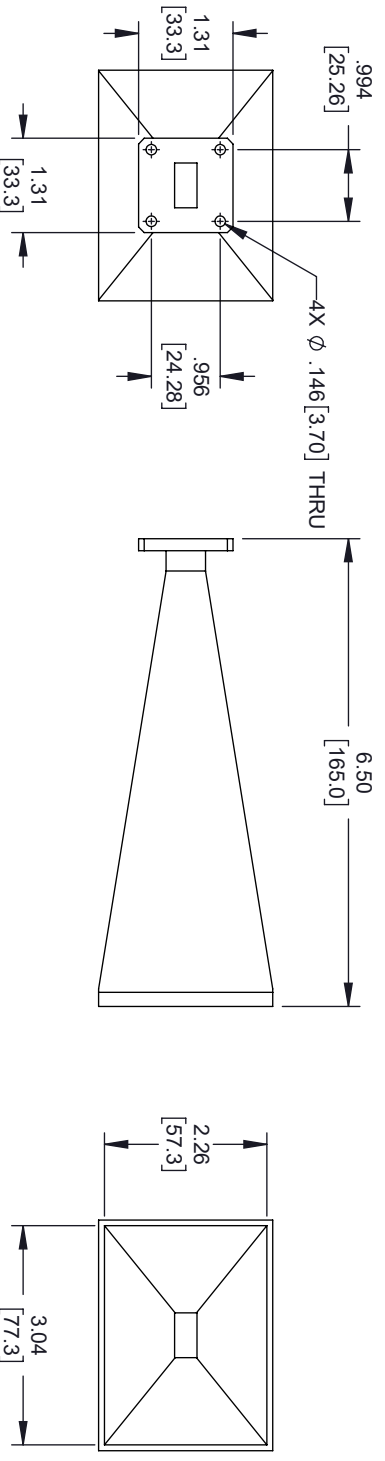
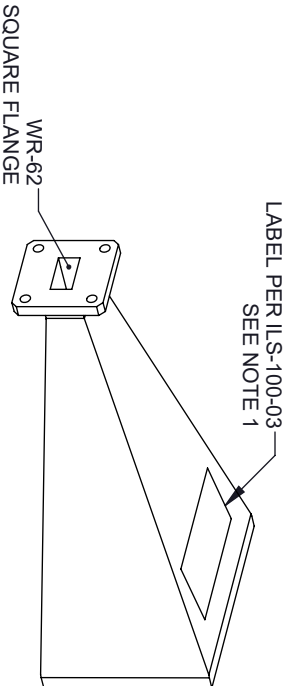


| REVISIONS |                 |            |          |
|-----------|-----------------|------------|----------|
| REV.      | DESCRIPTION     | DATE       | APPROVED |
| A         | INITIAL RELEASE | 06/14/2021 | KHIETPAS |



- NOTES:
1. LABEL PER ILS-100-03 (FOR INTERNAL REFERENCE ONLY)
  - LABEL LOCATION FOR REFERENCE ONLY

THESE COMMODITIES, TECHNOLOGY OR SOFTWARE WERE EXPORTED FROM THE UNITED STATES IN ACCORDANCE WITH THE EXPORT ADMINISTRATION REGULATIONS, DIVERSION CONTRARY TO U.S. LAW PROHIBITED.



|  |           |  |   |   |     |
|--|-----------|--|---|---|-----|
| UNLESS OTHERWISE SPECIFIED LEADING DIMENSIONS ARE INCHES |           |  |   | THIRD-ANGLE PROJECTION  |     |
| DIMENSIONS IN [ ] ARE MILLIMETERS                        |           |  |   |   |     |
| TOLERANCES:  |           |  |   | THE INFORMATION AND DESIGN IN THIS DOCUMENT IS THE PROPERTY OF FAIRVIEW MICROWAVE CORPORATION. ALL RIGHTS RESERVED. |     |
| FRACTIONS  |           | CABLE LENGTH (L) TOLERANCES:               |   | SHEET   |     |
| X = ±.2  | [5.08]    | L ± 1/2 (806) = +1 [25] / -0               | 12 [305] < L ≤ 60 [1524] = +2 [51] / -0     | OF  |     |
| XX = ±.02  | [.51]     | 60 [1524] < L ≤ 120 [3048] = +4 [102] / -0 | 120 [3048] < L ≤ 300 [7620] = +6 [152] / -0 | 1   |     |
| XXX = ±.005  | [.13]     | 300 [7620] < L = +5%L / -0                 |   | 1   |     |
| ALL DIMENSIONS SHOWN ARE FOR REFERENCE ONLY.             |           |  |   | SCALE   | N/A |
| SIZE   | GAGE CODE | DRAWN BY                                   | ITEM NO.                                    | REV   | REV |
| A  | 3FKRS     | DZINN                                      | FMWAN062-20                                 | A   | A   |