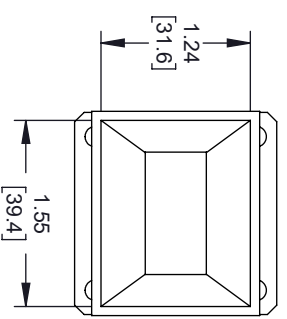
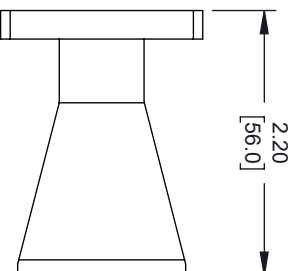
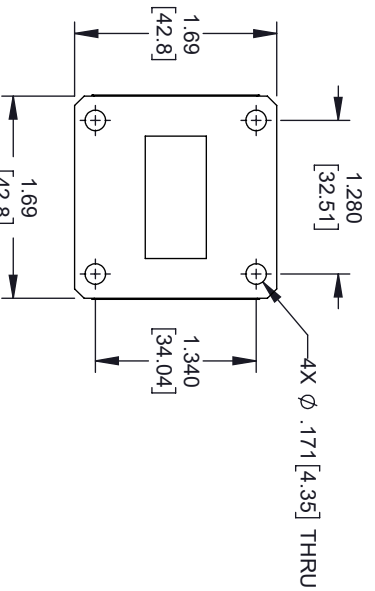
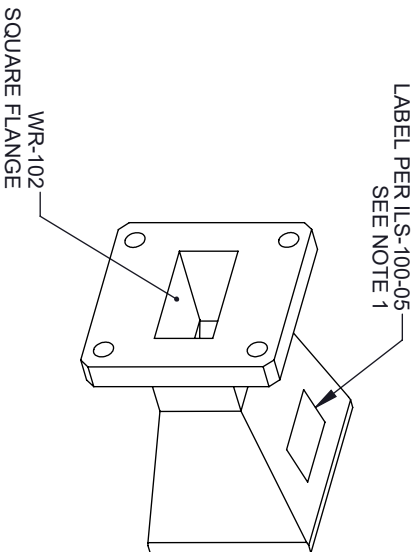


REVISIONS			
REV.	DESCRIPTION	DATE	APPROVED
A	INITIAL RELEASE	06/08/2021	KHIETPAS



- NOTES:
 1. LABEL PER ILS-100-05 (FOR INTERNAL REFERENCE ONLY)
 LABEL LOCATION FOR REFERENCE ONLY

THESE COMMODITIES, TECHNOLOGY OR SOFTWARE WERE EXPORTED FROM THE UNITED STATES IN ACCORDANCE WITH THE EXPORT ADMINISTRATION REGULATIONS, DIVERSION CONTRARY TO U.S. LAW PROHIBITED.



UNLESS OTHERWISE SPECIFIED LEADING DIMENSIONS ARE INCHES		THIRD-ANGLE PROJECTION	
DIMENSIONS IN [] ARE MILLIMETERS			
TOLERANCES:		THE INFORMATION AND DESIGN IN THIS DOCUMENT IS THE PROPERTY OF FAIRVIEW MICROWAVE CORPORATION. ALL RIGHTS RESERVED.	
CABLE LENGTH (L) TOLERANCES:	L ≤ 12 (305) = +1 (25) / -0	SHEET 1 OF 1	
	12 (305) < L ≤ 60 (1524) = +2 (51) / -0	SCALE N/A	
	60 (1524) < L ≤ 120 (3048) = +4 (102) / -0	REV A	
	120 (3048) < L ≤ 300 (7620) = +6 (152) / -0	DRAWN BY DZINN	
	300 (7620) < L = +5%L / -0	ITEM NO. FMWAN102-10	
		GAGE CODE 3FKRS	
		SIZE A	

ALL DIMENSIONS SHOWN ARE FOR REFERENCE ONLY.			
SIZE	GAGE CODE	DRAWN BY	ITEM NO.
A	3FKRS	DZINN	FMWAN102-10
			REV A

TOLERANCES:
 X = ±.2 [5.08] FRACTIONS
 XX = ±.02 [.51] ±.1/32
 XXX = ±.005 [.13] ANGLES ± 1°